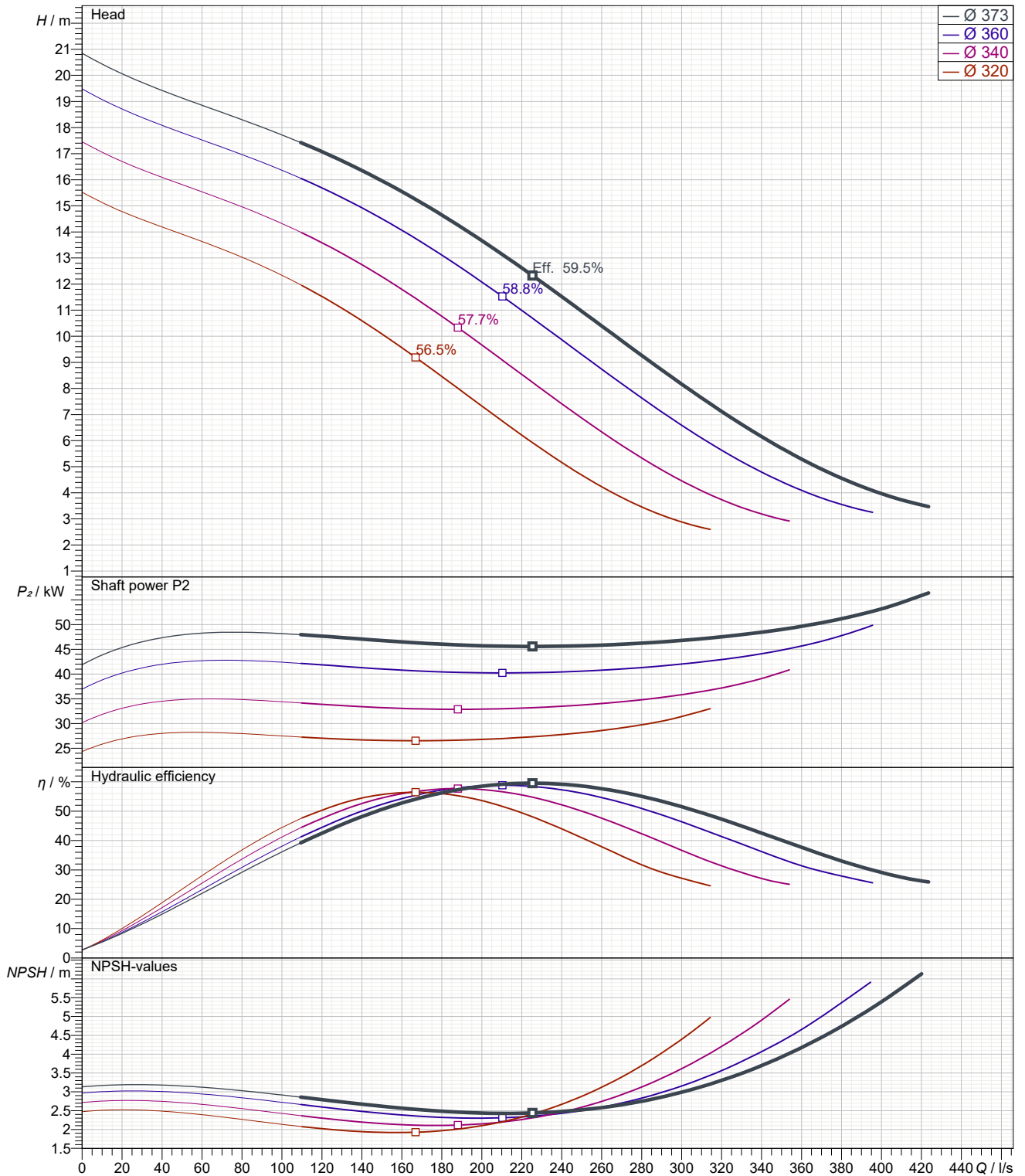


Power data referred to: Water; 20°C; 998.3kg/m³; 1.005mm²/s

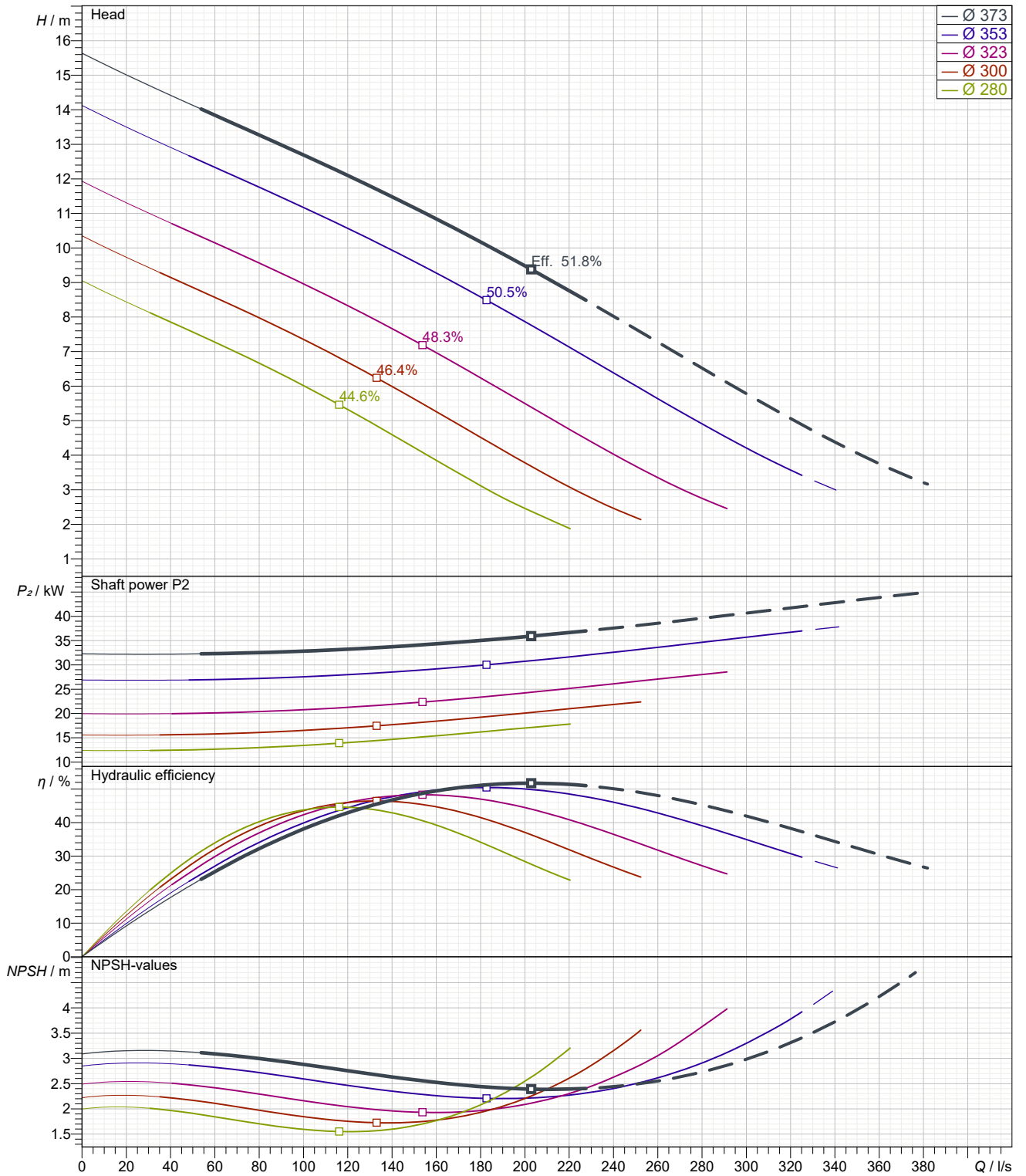
Tolerances acc. ISO 9906 Grade 2B



Curves are approximate. pump is guaranteed for one set of conditions (capacity, head, efficiency).

Power data referred to: Water; 20°C; 998.3kg/m³; 1.005mm²/s

Tolerances acc. ISO 9906 Grade 2B



Curves are approximate. pump is guaranteed for one set of conditions (capacity, head, efficiency).

Submersible, centrifugal, non-clogging sewage pump PX4-308.0-6 VORTEX 9 capable of handling raw,unscreened sewage.

The pumps manufactured within European Union with the latest manufacturing and environmental standards and practical standard features as :

- Vortex impeller made in ductile iron GGG40 are of non clogging design
- Channel and vortex impellers can be accommodated in the same volute. This advance together with possibility to be trimmed allow to meet changing duties.
- Wear rings with 'reducer' clearances system allow to be re-positioned axially in order to reduce the clearances between the channel impeller and volute.
- Fast lock connection system latch bolts made in stainless steel 316 for easy removal of the motor together with impeller from the volute.

Submersible motor type M4.2C - 60 can be capable of operating continuously in submerged for wet installation. Cooling jacket with Internal cooling system is available as option.

-Electrical motor PXFLOW - SIEMENS high efficiency class IE2(premium efficiency IE3 as option) have Class H insulation (rated for 180 degrees Celsius)as standard

-Separate sealed terminal connection area

-Rotor shaft oversized made in stainless steel and oversized ball bearings ensuring smooth and vibration free running with extended life time as result.

-Shaft sealing system consist of double mechanical seals built into a replaceable cartridge facilitate quick changes even on-site without special tools.

Motor protections :

- Three thermal overload switches, one per phase, internally wound to combat high temperature loads.
- Built-in moisture sensors to terminal connection area (upper motor side), inside the motor (lower side) and in oil chamber

Materials

PX4-308.0-6 VORTEX 9 (Vortex impeller)+60 kW

-Motor housing, volute :cast iron GG -25

-Impeller : ductile iron GGG40

-Shaft, cartridge sleeve :stainless steel 431

-Shaft seal:Media side sic/sic

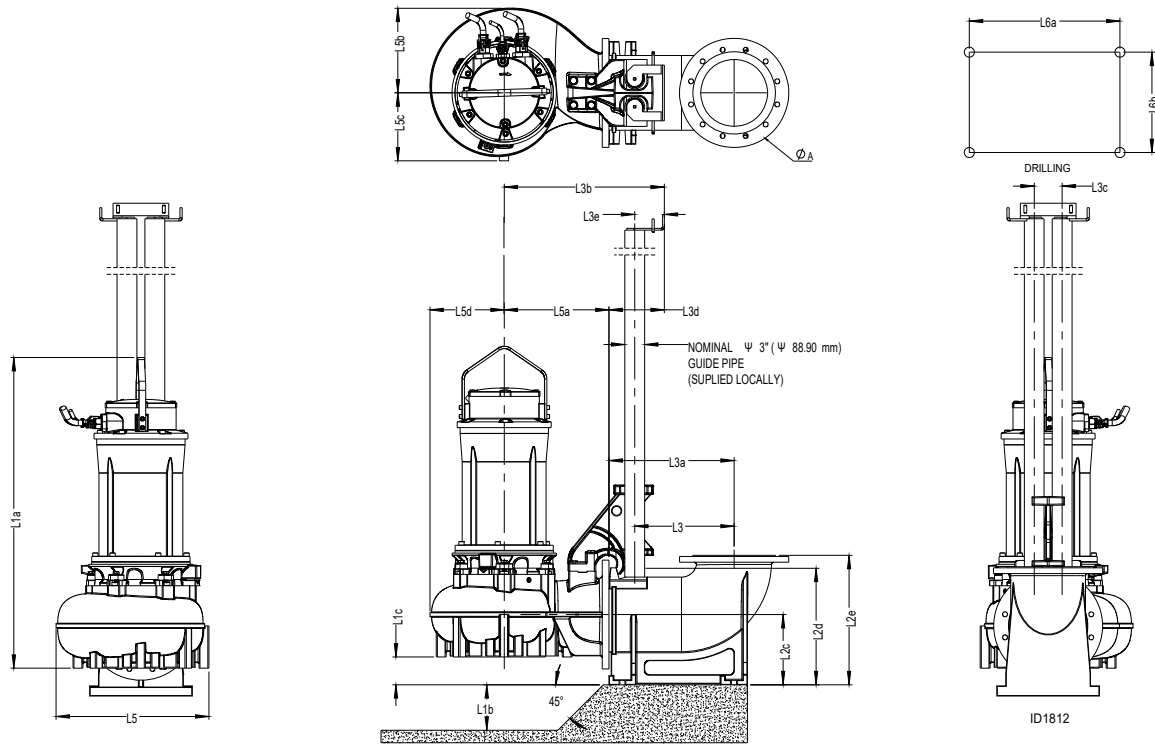
Cooling side sic/sic

-Bearings:upper:single row deep groove ball bearing
lower: two single angular contact ball bearing

portable wet installation accesories set (on request)

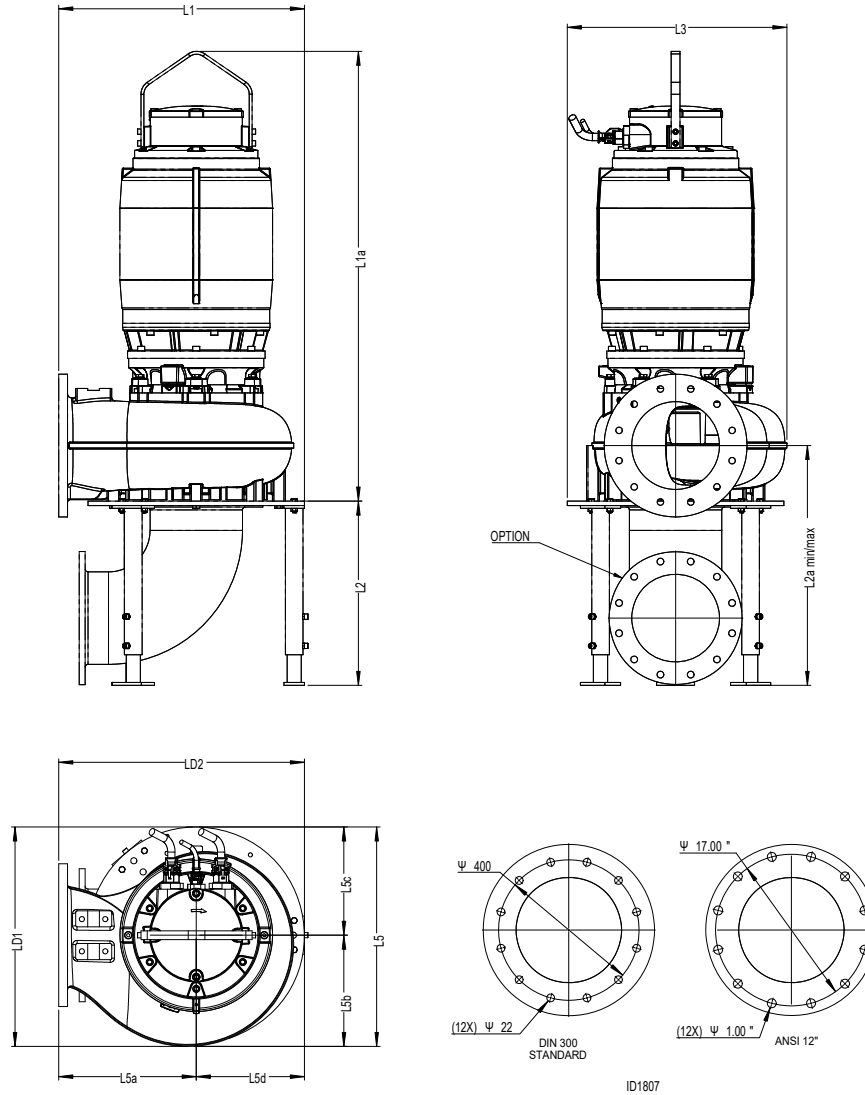
base : steel

PX4-308.0-6 VORTEX 8 With motor M4.2B-37



Dimensions		Dimensions			
Name	mm	Name	mm		
L1a	1393	L5b	380	For Discharge connection bracket :	
L1b	204	L5c	305	Outlet flange - Standard : DN300 / PN10- Option :12" ANSI class 125	
L1c	125	L5d	333	For pump :	
L2c	315	L6a	500	Outlet flange - Standard : DN300 / PN10- Option :12" ANSI class 125	
L2d	522.5	L6b	330	Suction flange - Standard : DN300 / PN10- Option :12" ANSI class 125	
L2e	580	Weight of Pump with cooling jacket = 798.8 kg (without cooling jacket : - 120.2 kg)			
L3	446				
L3a	561				
L3b	718				
L3c	125				
L3d	248	Weight of Adapter = 33 kg			
L3e	133	Weight of Discharge connection bracket (DCB) 300 = 186 kg			
L5	685				
L5a	470				

PX4-308.0-6 VORTEX 8 With motor M4.2C-60



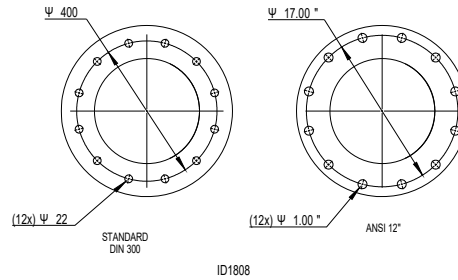
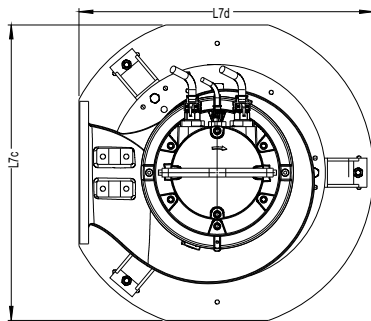
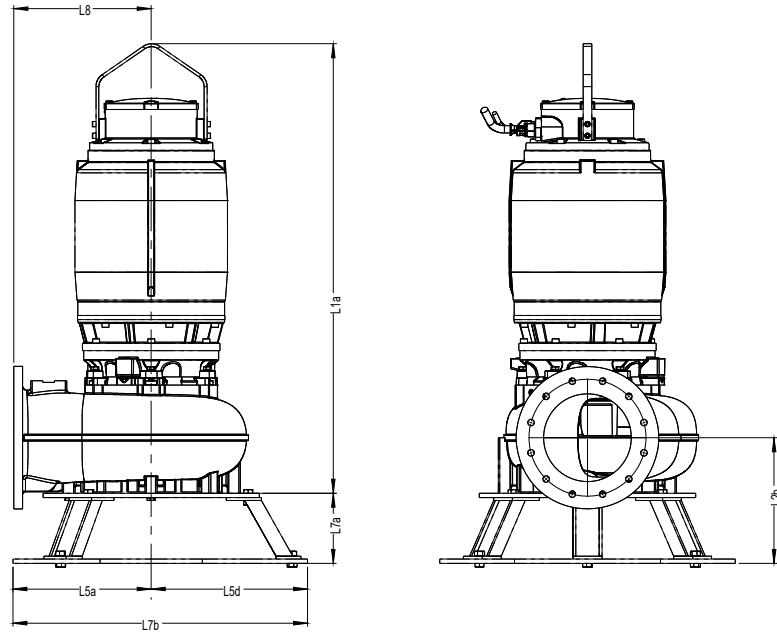
Dimensions	mm	Dimensions	mm
Name	Value	Name	Value
L1	840		
L1a	1523		
L2	630		
L2a max	1070		
L2a mim	820		
L3	751		
L5	750		
L5a	470		
L5b	389		
L5c	370		
L5d	370		
LD1	750		
LD2	840		

Outlet flange - Standard : DN300 / PN10
- Option : 12" ANSI class 125

Suction flange - Standard : DN300 / PN10
- Option : 12" ANSI class 125

Weight of Pump with cooling jacket = 940 kg
Weight of Adjustable Legs = 48 kg

PX4-308.0-6 VORTEX 9 With motor M4.2C-60



ID1808

Dimensions		Dimensions	
Name	mm	Name	mm
L1a	1538		
L2b	430		
L5a	473		
L5d	535		
L7a	240		
L7b	1008		
L7c	1011		
L7d	1008		
L8	471		

Outlet for hose - Option : " 300mm (12")

For pump :

Outlet flange - Standard : DN300 / PN10
- Option : 12" ANSI class 125

Suction flange - Standard : DN300 / PN10
- Option : 12" ANSI class 125

Weight of Pump with cooling jacket = 940 kg
(without cooling jacket : - 102 kg)

Weight of Base for Transportable = 88 kg