

# Instructions for filling motors for submersible pump units

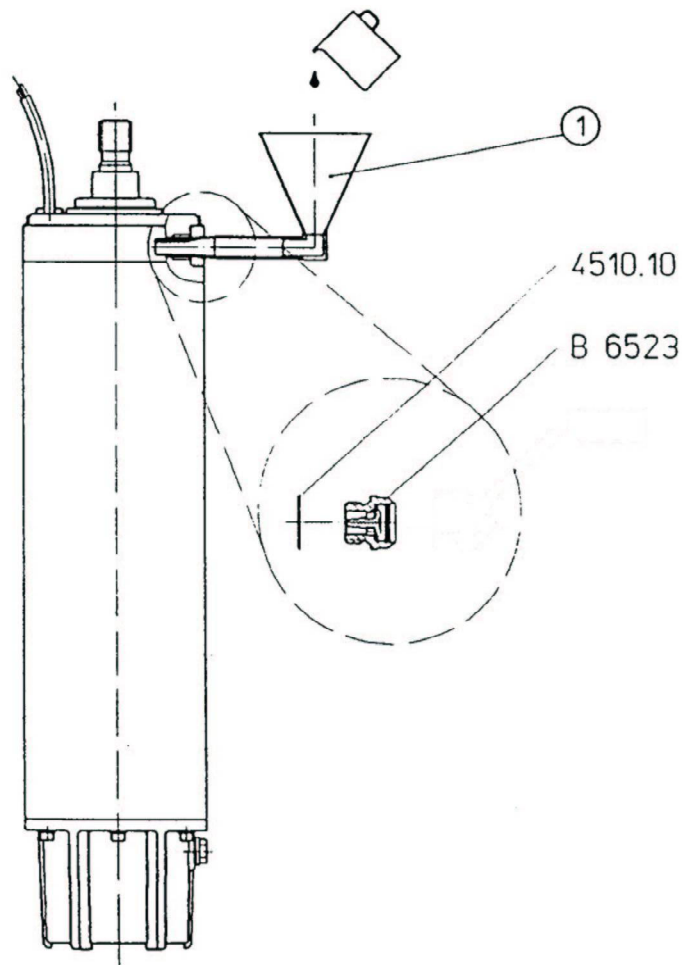
## Filling and topping up with funnel (Fig. 8.1)

1. Position the motor vertically
2. Screw out the vent valve (B 6523) with a ring wrench or socket wrench (size 17).

**Take care with the seal ring 4510.10!**

3. Fit together the two-part funnel ①, and insert it into the threaded hole of the removed vent valve.
4. Fill or top up until liquid escapes from the opening in which the funnel is located.
5. Screw the vent valve (B 6523) back in with the seal ring (4510.10).

**6.ATTENTION for Horizontal installation:**  
When installing the pump unit horizontally for operation, the vent valve (B6523) must always face upwards!



**Fig. 8.1**