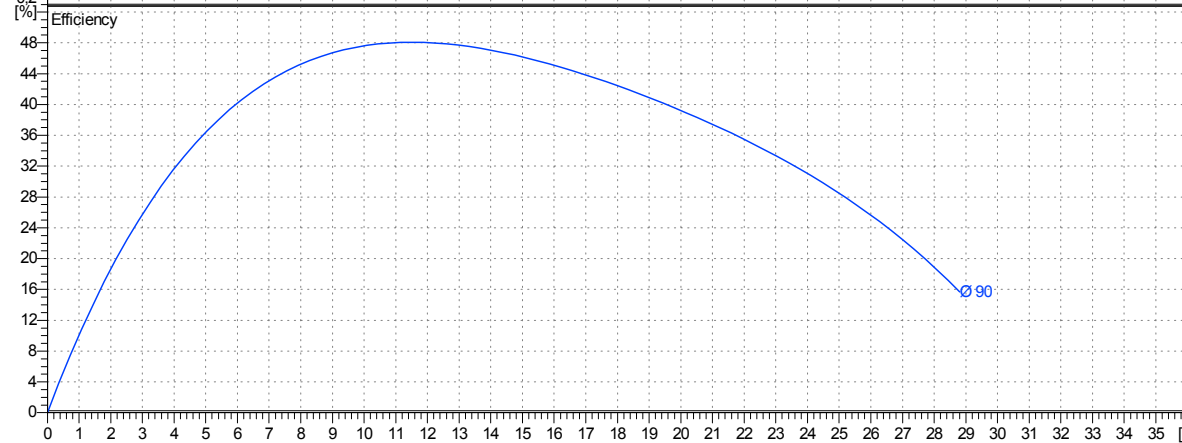
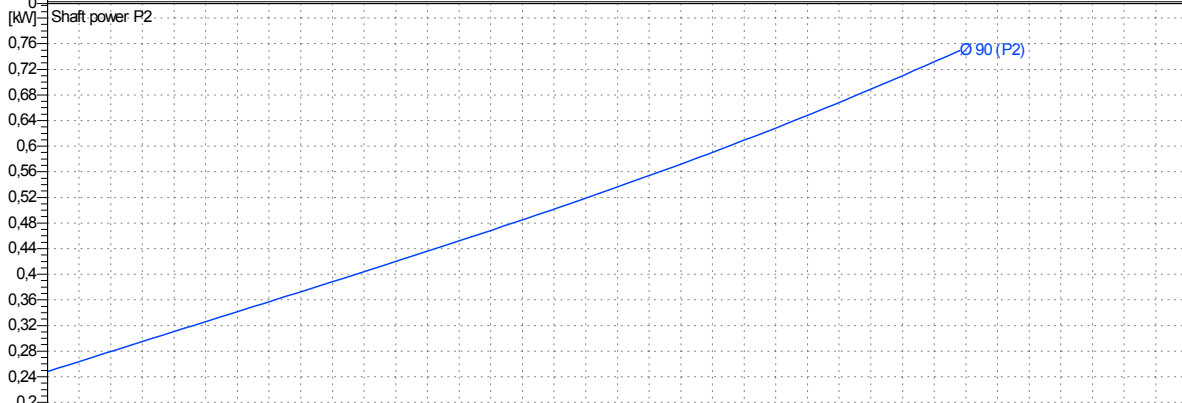
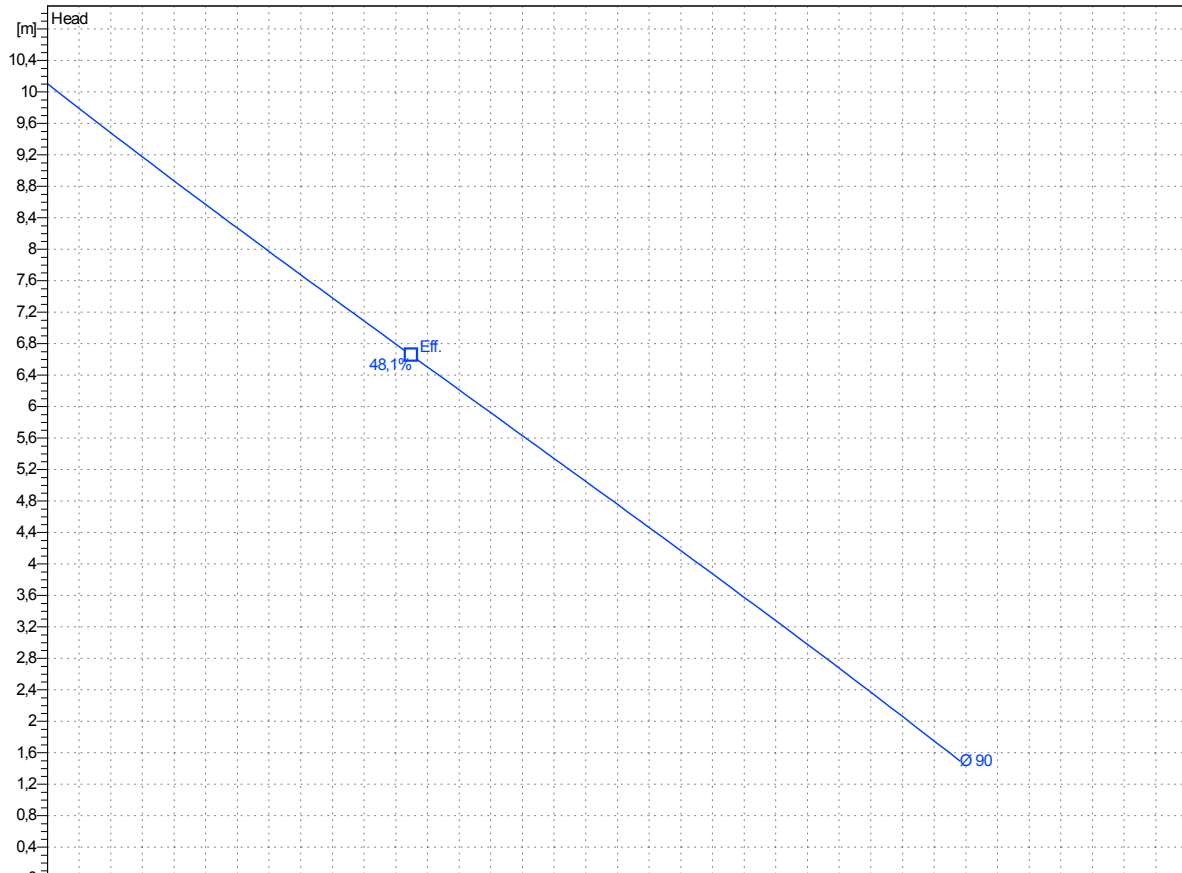


data referred to : Water, pure [100%] ; 20°C; 0,9983kg/dm<sup>3</sup>; 1,001mm<sup>2</sup>/s

Tolerances acc. ISO 9906 Annex A



Curves are approximate, pump is guaranteed for one set of conditions (capacity, head, efficiency).

Submersible, centrifugal, non-clogging sewage pump PX0-50.2-2 VORTEX 1 This range of portable non clogging pumps effluents.

The pumps manufactured within European Union with the latest manufacturing and environmental standards .

#### Materials

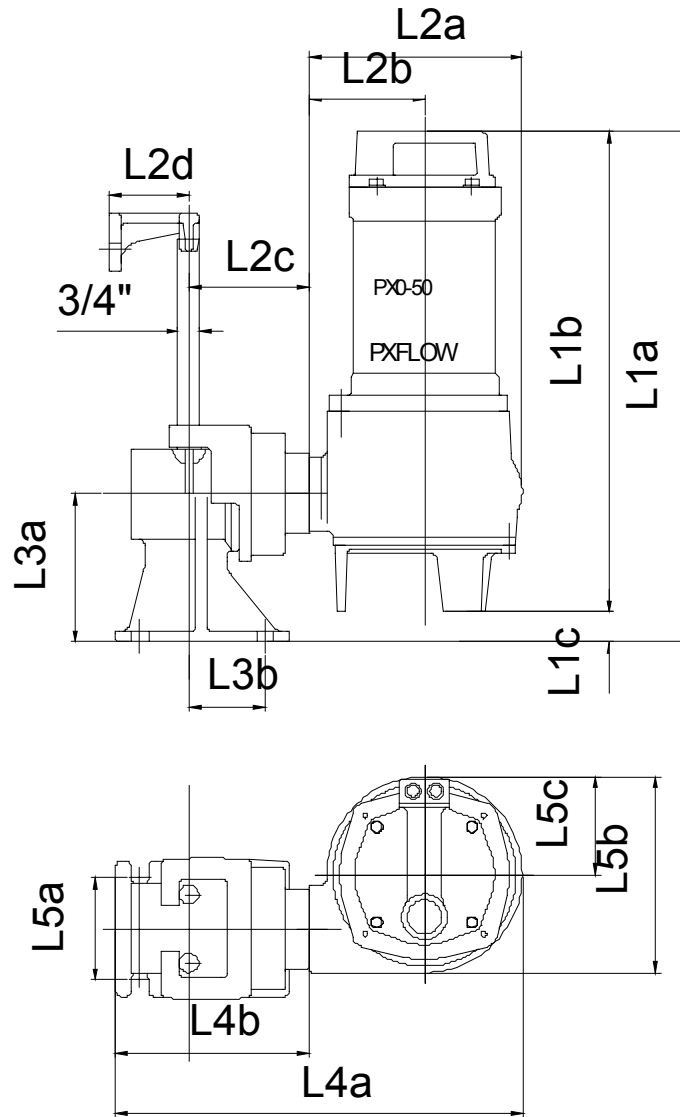
Casting parts :cast iron GG -25

Shaft:stainless steel 431

Shaft seal:Media side sic/sic  
Motor side sic/ceramic

Bearings:upper:single row deep groove ball bearing  
lower: double angular contact ball bearing

**PX0-50.2-2 VORTEX 1 with motor**



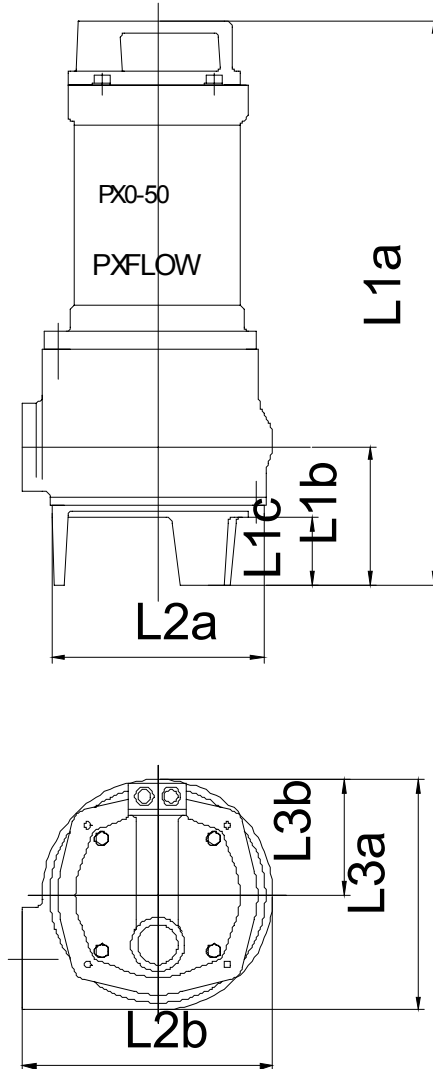
Dimensions	mm	Dimensions	mm
L1a	448		
L1b	421,5		
L1c	26,4		
L2a	187		
L2b	101		
L2c	106		
L2d	70		
L3a	130		
L3b	67		
L4a	357		
L4b	170		
L5a	90		
L5b	172		
L5c	86		

Outlet - Standard : Ø 50mm (G2")

Suction - Standard : Ø 50mm (2")

Total Weight of Pump =22 kg  
Weight of Adapter =0 kg

**PX0-50.2-2 VORTEX 1 with motor**



Dimensions	mm	Dimensions	mm
L1a	421,5		
L1b	103,6		
L1c	51		
L2a	158		
L2b	187		
L3a	172		
L3b	86		

Outlet - Standard : Ø 50mm Threaded (G2")

Suction - Standard : Ø 50mm (2")

Total Weight of Pump =22 kg  
Weight of Base for Transportable=0 kg