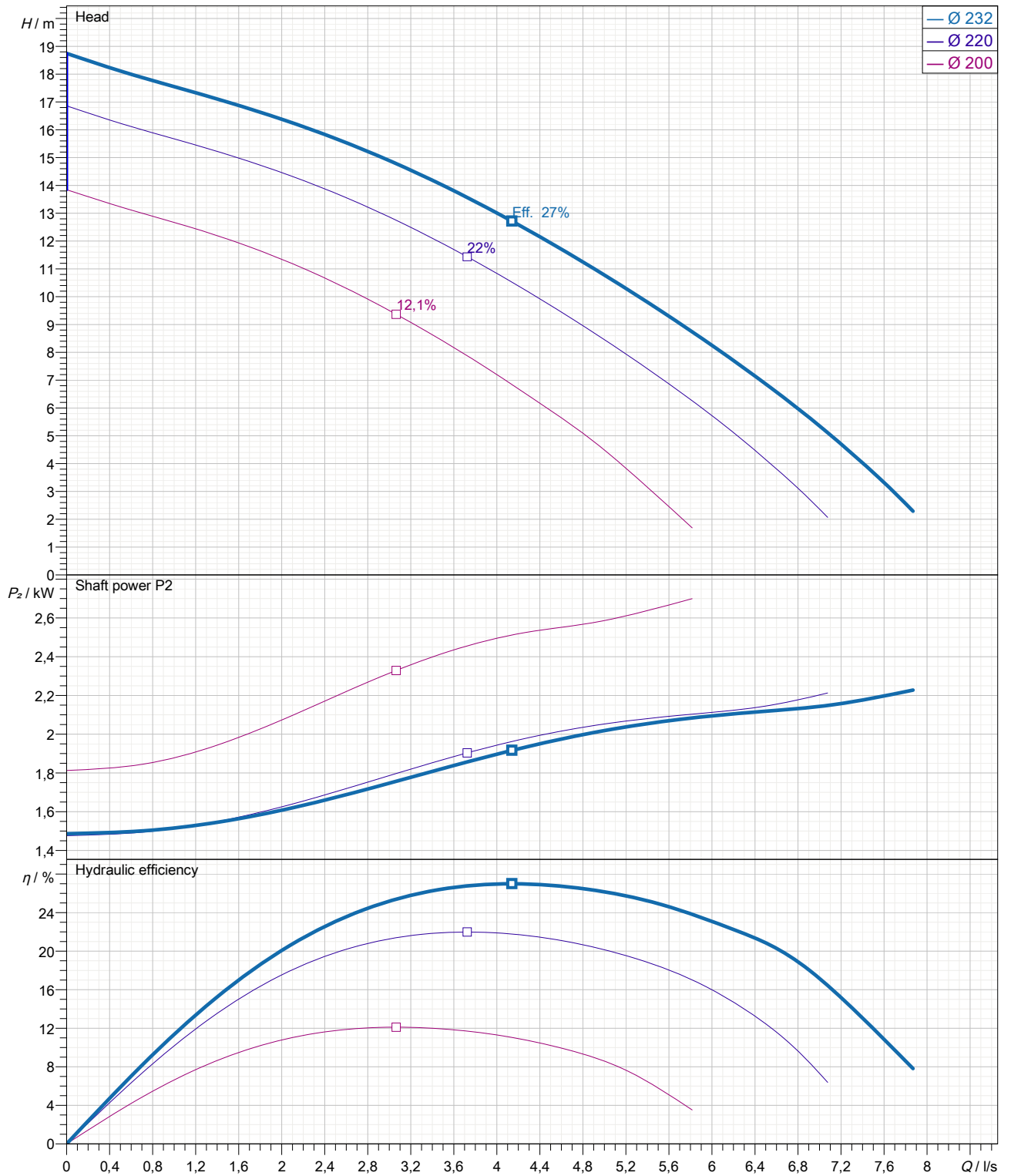


data referred to : Water; 20°C; 998,3kg/m³; 1,005mm²/s

Tolerances acc. ISO 9906 Grade 2B



Curves are approximate, pump is guaranteed for one set of conditions (capacity, head, efficiency).

Submersible, centrifugal, non-clogging sewage pump PXGRIND 2 - 4 capable of handling raw,unscreened sewage. The PXGRIND pumps are equipped with a grinder system, grinding destructible solids into small pieces before passing the pump ,so that they can be led away through pipes of a relatively small diameter.

The pumps manufactured within European Union with the latest manufacturing and environmental standards and practical standard features as :

- Multi channel impeller made in ductile iron GGG40
- Cutting system made in stainless steel with hardness 55 HRC .
- Wear plate with 'reducer' clearances system allow to be re-positioned axially in order to reduce the clearances between the channel impeller and volute.
- Fast lock connection system latch bolts made in stainless steel for easy removal of the motor together with impeller from the volute.

Submersible motor type M2.1B- 4,5 can be capable of operating continuously in submerged for wet installation. Cooling jacket with Internal cooling system is available as option.

-Electrical motor PXFLOW -SIEMENS standard IE1 or higher efficiency class (IE2 or IE3 as option) have Class F insulation (rated for 155 degrees Celsius) as standard (Class H as option)

-Separate sealed terminal connection area

-Rotor shaft oversized made in stainless steel and oversized ball bearings ensuring smooth and vibration free running with extended life time as result.

-Shaft sealing system consist of double mechanical seals built into a replaceable cartridge facilitate quick changes even on-site without special tools.

Motor protections :

- Three thermal overload switches, one per phase, internally wound to combat high temperature loads.
- Built-in moisture sensors to terminal connection area (upper motor side), inside the motor (lower side) and in oil chamber

Materials

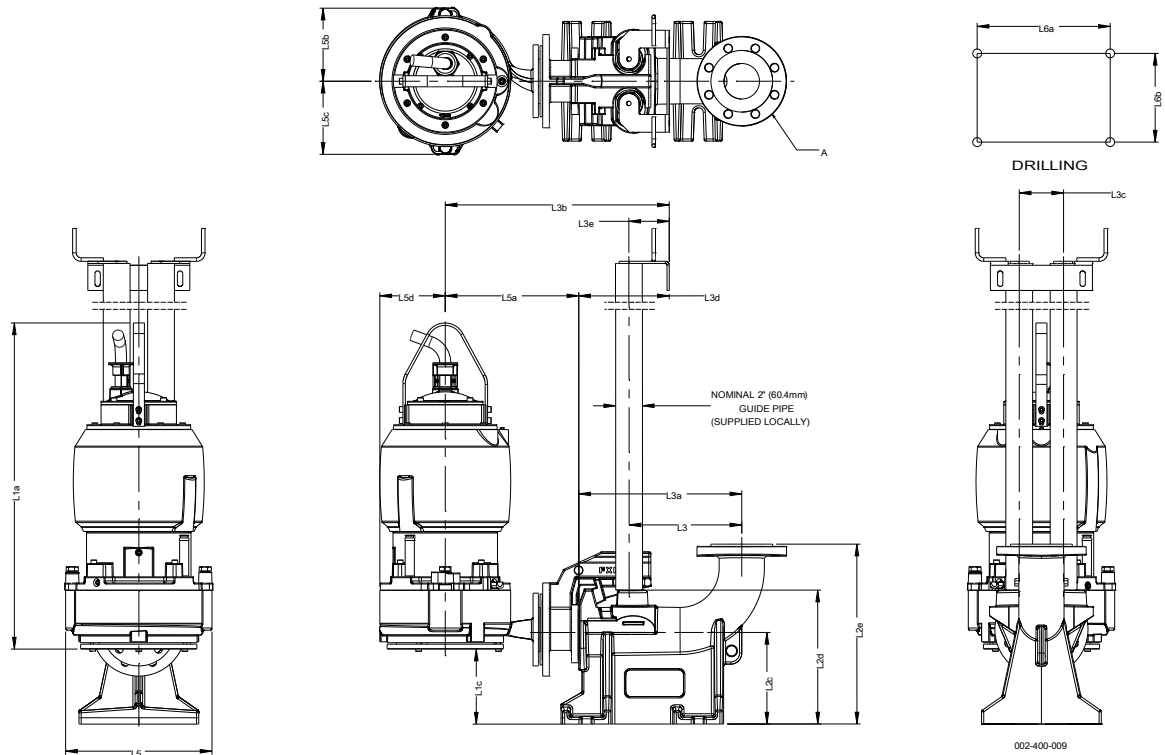
PXGRIND 2 - 4 (Multi channel impeller)+4,5 kW

- Motor housing, volute :cast iron GG -25
- Impeller : ductile iron GGG40
- Shaft, cartridge sleeve :stainless steel 431
- Shaft seal:Media side sic/sic
Cooling side carbon/ceramic
- Bearings:upper:single row deep groove ball bearing
lower: double angular contact ball bearing

wet pit installation accesories set (on request)

- Discharge connection bracket (DCB):cast iron GG -25 (standard) or stainless steel (option)
- adapter : ductile iron GGG40 (standard) or stainless steel (option)
- Upper guide bracket (UGB):galvanize steel (standard) or stainless steel (option)

PXGRIND 2 - 4 With motor M2.1B-4,5



Dimensions	mm	Dimensions	mm
Name	Value	Name	Value
L1a	738	L5	330
L1c	170	L5a	301,5
L2c	100	L5b	165
L2d	206,5	L5c	165
L2e	405,5	L5d	147,5
L3	254	L6a	253
L3a (DN80)	367,5	L6b	148
L3a (DN100)	366		
L3b	505,5		
L3c	100		
L3d	204,5		
L3e	90,5		

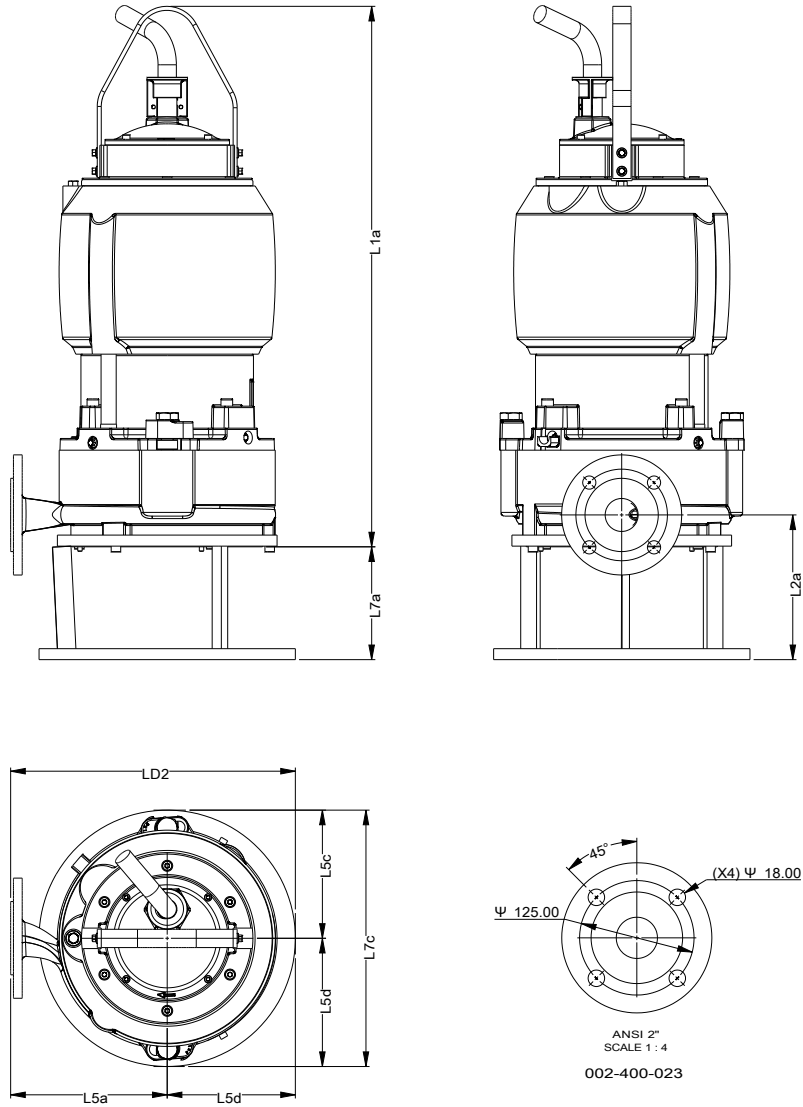
For Discharge connection bracket
 Outlet flange - Standard : DN80 / PN10 Flange
 - Option : 3" ANSI class 125
 - Option : DN100 / PN10 Flange
 - Option : 4" ANSI class 125

For pump
 Outlet flange - Standard : DN50
 - Option : 2" ANSI class 125

Total Weight of Pump = 132,6 kg
 (without cooling jacket : - 22 kg)

Weight of Adapter = 13 kg;1}

PXGRIND 2 - 4 With motor M2.1B-4,5



Dimensions mm		Dimensions mm	
Name	Value	Name	Value
L1	738		
L2a	198		
L5a	214		
L5b	175		
L5c	175		
L5d	175		
L7a	154		
L7c	333		
LD2	389		