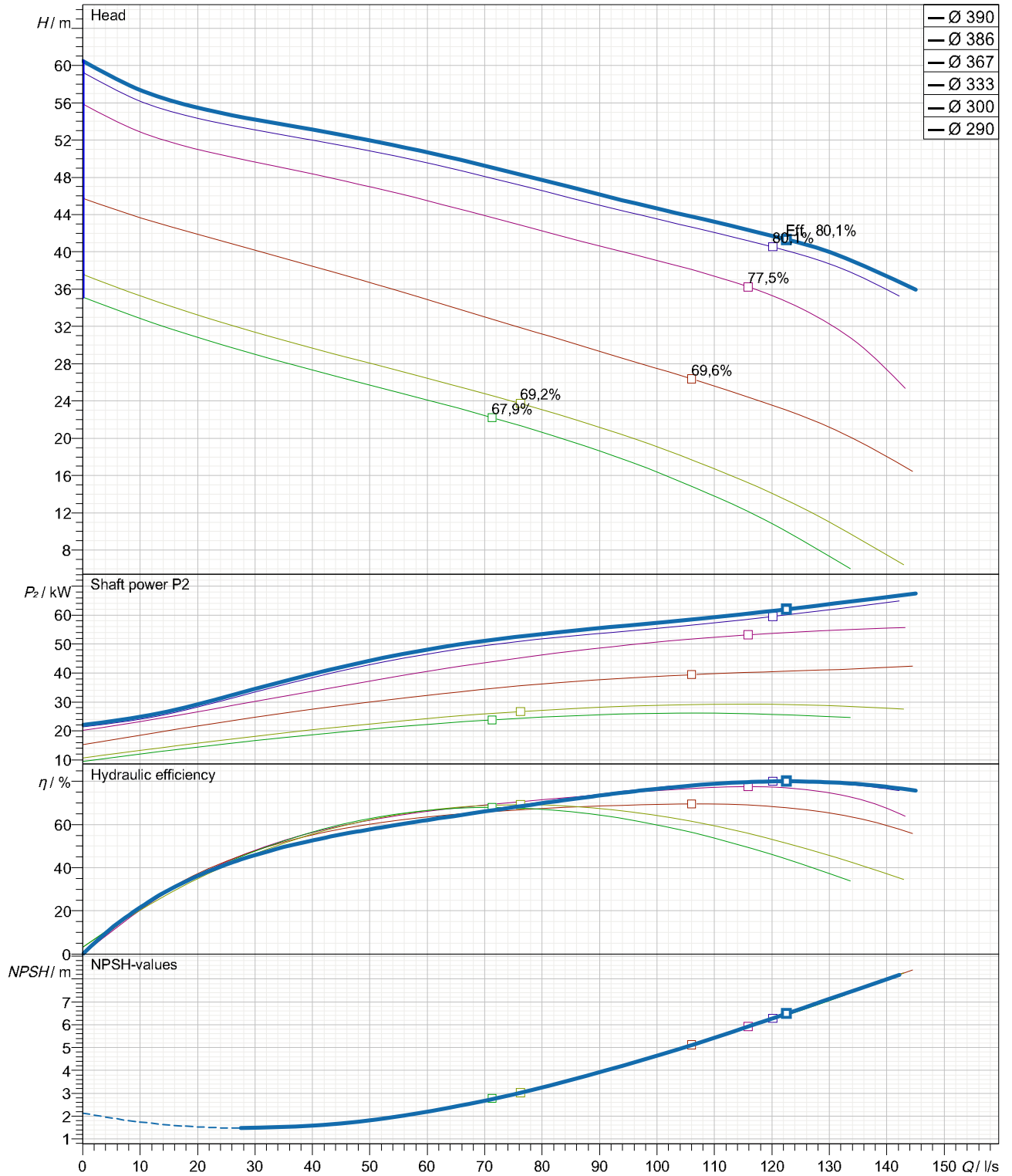


data referred to : Water; 20°C; 998,3kg/m<sup>3</sup>; 1,001mm<sup>2</sup>/s

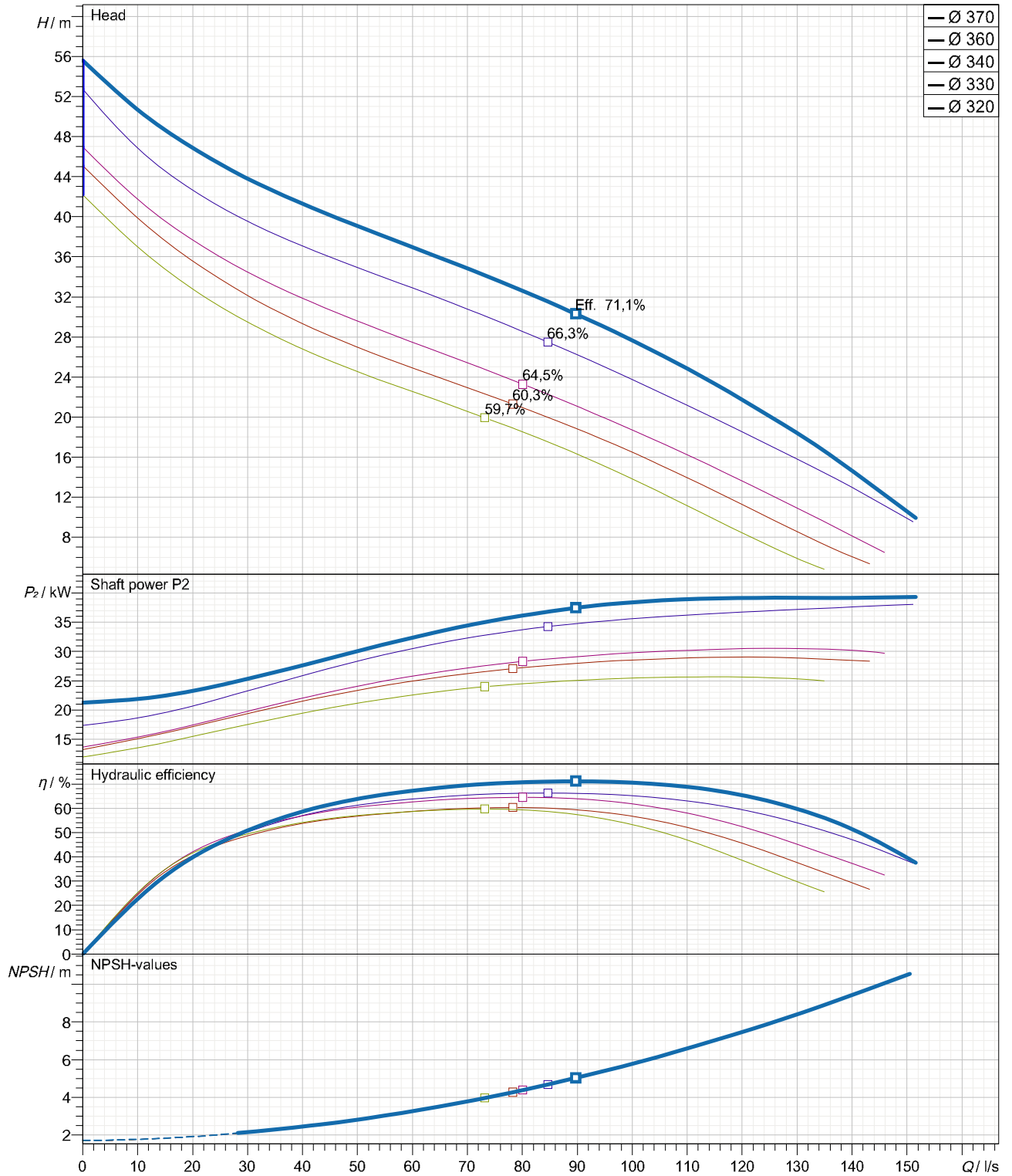
Tolerances acc. ISO 9906 Grade 2B



Curves are approximate, pump is guaranteed for one set of conditions (capacity, head, efficiency).

data referred to : Water; 20°C; 998,3kg/m³; 1,001mm²/s

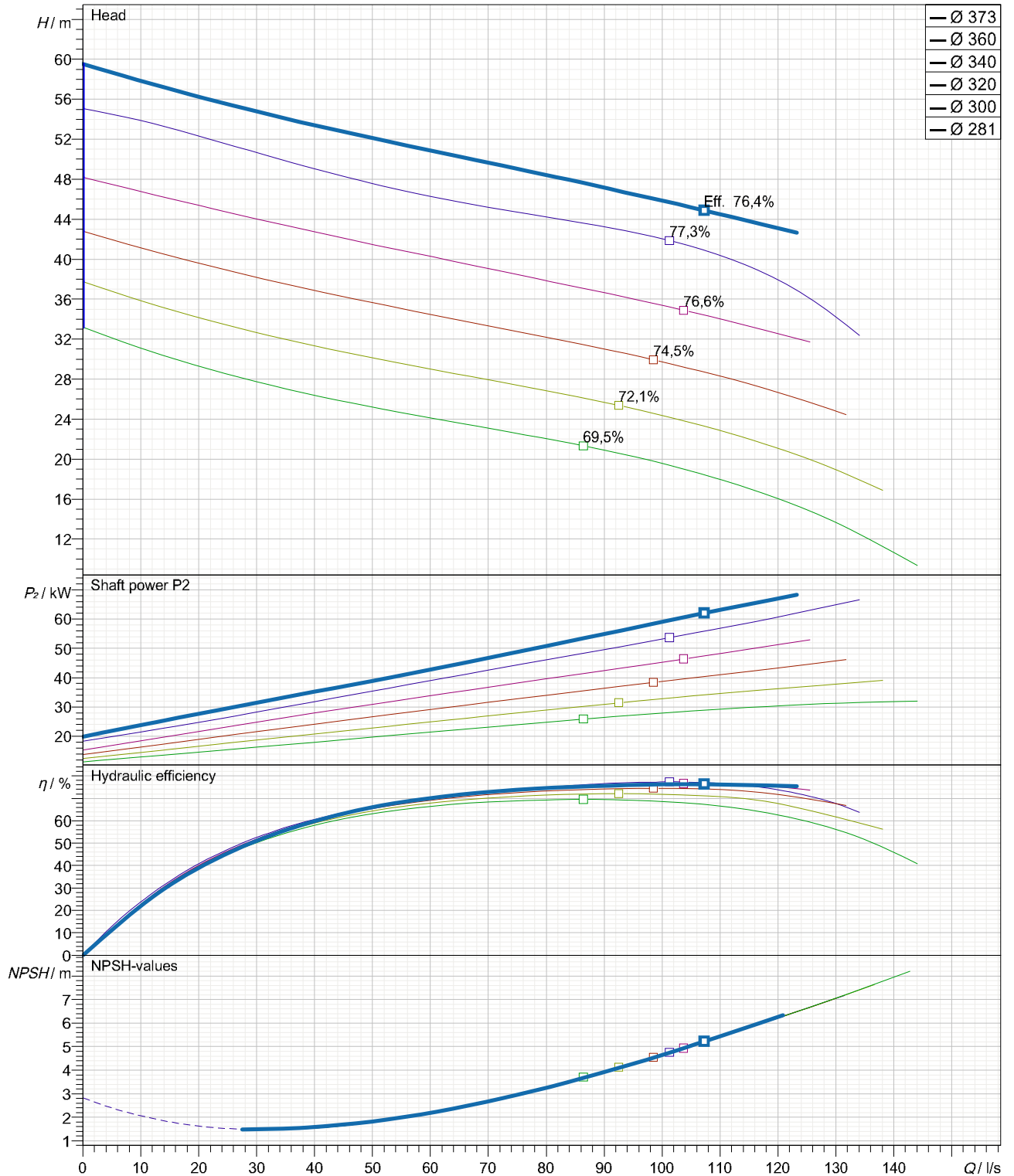
Tolerances acc. ISO 9906 Grade 2B



Curves are approximate, pump is guaranteed for one set of conditions (capacity, head, efficiency).

data referred to : Water; 20°C; 998,3kg/m<sup>3</sup>; 1,001mm<sup>2</sup>/s

Tolerances acc. ISO 9906 Grade 2B



Curves are approximate, pump is guaranteed for one set of conditions (capacity, head, efficiency).

Submersible, centrifugal, non-clogging sewage pump PX4-150.0-4 CHANNEL 3 capable of handling raw,unscreened sewage.

The pumps manufactured within European Union with the latest manufacturing and environmental standards and practical standard features as :

- Dual channel impeller made in ductile iron GGG40 are of non clogging design
- Channel and vortex impellers can be accommodated in the same volute. This advance together with possibility to be trimmed allow to meet changing duties.
- Wear rings with 'reducer' clearances system allow to be re-positioned axially in order to reduce the clearances between the channel impeller and volute.
- Fast lock connection system latch bolts made in stainless steel for easy removal of the motor together with impeller from the volute.

Submersible motor type M4.2B - 75 can be capable of operating continuously in submerged for wet installation. Cooling jacket with Internal cooling system is available as option.

-Electrical motor PXFLOW -SIEMENS standard IE1 or higher efficiency class (IE2 or IE3 as option) have Class H insulation (rated for 180 degrees Celsius) as standard

-Separate sealed terminal connection area

-Rotor shaft oversized made in stainless steel and oversized ball bearings ensuring smooth and vibration free running with extended life time as result.

-Shaft sealing system consist of double mechanical seals built into a replaceable cartridge facilitate quick changes even on-site without special tools.

Motor protections :

- Three thermal overload switches, one per phase, internally wound to combat high temperature loads.
- Built-in moisture sensors to terminal connection area (upper motor side), inside the motor (lower side) and in oil chamber

Materials

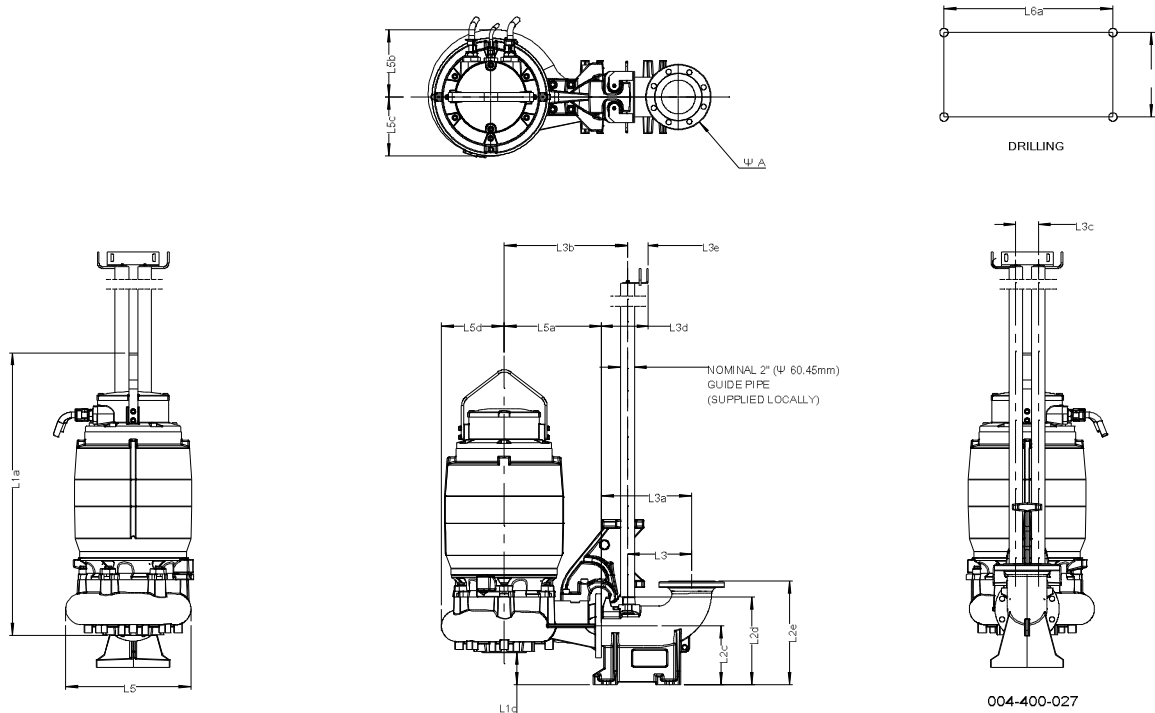
PX4-150.0-4 CHANNEL 3 ( Dual channel impeller )+75 kW

- Motor housing, volute :cast iron GG -25
- Impeller : ductile iron GGG40
- Shaft, cartridge sleeve :stainless steel 431
- Shaft seal:Media side sic/sic  
Cooling side sic/sic
- Bearings:upper:single row deep groove ball bearing  
lower: double angular contact ball bearing

wet pit installation accesories set (on request)

- Discharge connection bracket (DCB):cast iron GG -25 (standard) or stainless steel (option)
- adapter : ductile iron GGG40 (standard) or stainless steel (option)
- Upper guide bracket (UGB):galvanize steel (standard) or stainless steel (option)

**PX4-150.0-4 CHANNEL 3 With motor M4.2B-75**



Dimensions	mm	Dimensions	mm
Name	Value	Name	Value
L1a	1254	L5a	433
L1c	143	L5b	299
L2c	259,5	L5c	261
L2d	389	L5d	278
L2e	460	L6a	280
L3	285	L6b	203,6
L3a	400		
L3b	548		
L3c	100		
L3d	206		
L3e	91		
L5	556		

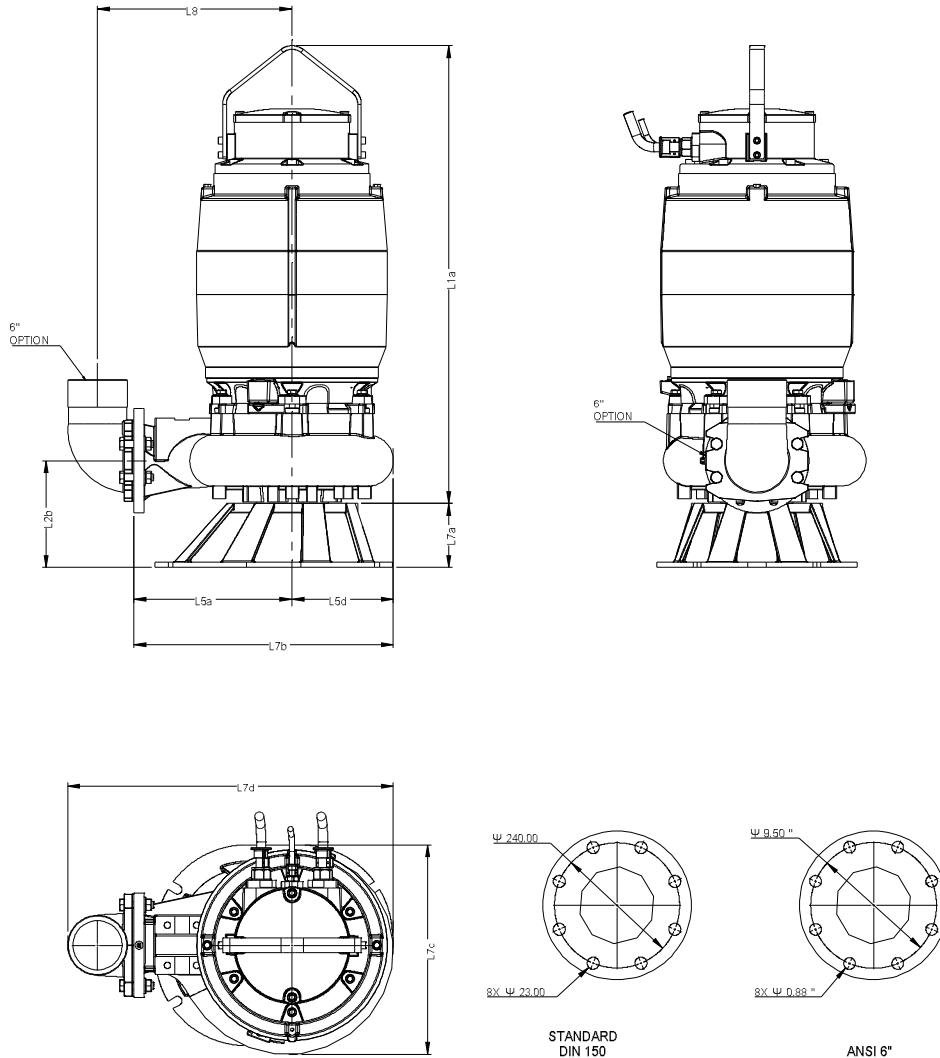
**For Discharge connection bracket :**  
 Outlet flange - Standard : DN150 / PN10 - Option : DN 200 / PN10  
 - Option :6" ANSI class 125 - Option :8" ANSI class 125

**For pump :**  
 Outlet flange - Standard : DN150 / PN10 - Option :DN 200 / PN10  
 - Option :6" ANSI class 125 - Option :8" ANSI class 125

Suction flange - Standard : DN150 / PN10 - Option : 6" ANSI class 125

Weight of Pump with cooling jacket = 711 kg  
 ( without cooling jacket : - 120,2 kg )  
 Weight of Adapter = 33 kg  
 Weight of Discharge connection bracket (DCB) 150 = 67  
 Weight of Discharge connection bracket (DCB) 200 = 93

**PX4-150.0-4 CHANNEL 3 With motor M4.2B-75**



004-400-075

Dimensions	mm	Dimensions	mm
Name	Value	Name	Value
L1a	1254		
L2b	292,5		
L5a	433		
L5d	278		
L7a	175		
L7b	711		
L7c	574		
L7d	893		
L8	433		

Outlet for hose - Option : " 150mm (6")

For pump :

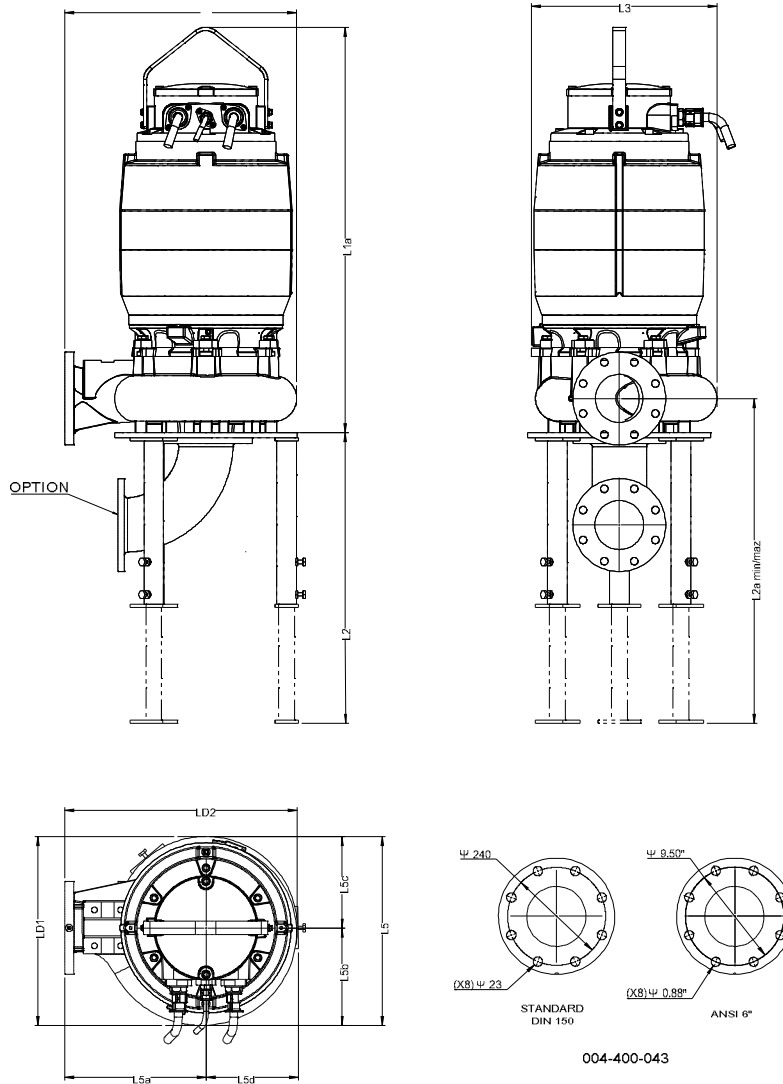
Outlet flange - Standard : DN150 / PN10  
- Option : 6" ANSI class 125

Suction flange - Standard : DN150 / PN10  
- Option : 6" ANSI class 125

Weight of Pump with cooling jacket = 711 kg  
( without cooling jacket : - 120,2 kg )

Weight of Base for Transportable = 34 kg

**PX4-150.0-4 CHANNEL 3 With motor M4.2B-75**



004-400-043

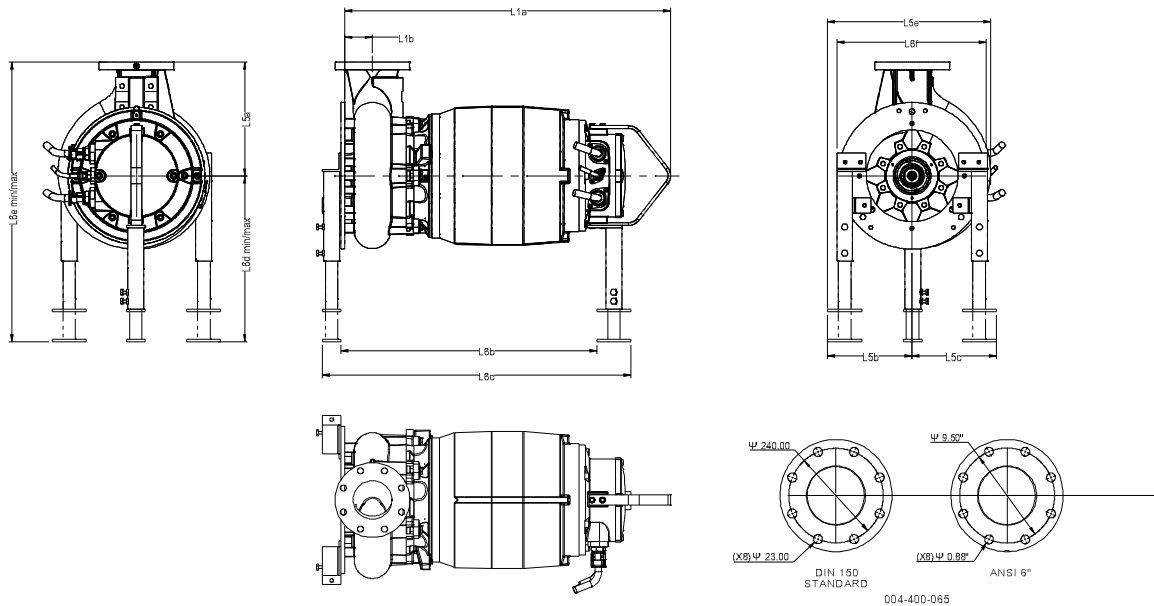
Dimensions	mm	Dimensions	mm
Name	Value	Name	Value
L1	711	LD2	713
L1a	1242		
L2	890		
L2a max	996		
L2a mim	641		
L3	564		
L5	579		
L5a	433		
L5b	299		
L5c	280		
L5d	283		
LD1	579		

Outlet flange - Standard : DN150 / PN10  
- Option : 6" ANSI class 125

Suction flange - Standard : DN150 / PN10  
- Option : 6" ANSI class 125

Weight of Pump with cooling jacket = 711 kg  
Weight of Adjustable Legs = 35 kg

**PX4-150.0-4 CHANNEL 3 With motor M4.2B-75**



Dimensions	mm	Dimensions	mm
Name	Value	Name	Value
L1a	1242	L6f	570
L1b	105		
L5a	433		
L5b	322		
L5c	294		
L5e	621		
L6b	977		
L6c	1173		
L6d max	633		
L6d min	519		
L6e max	1066		
L6e min	946		

Outlet flange - Standard : DN150 / PN10  
 - Option : 6" ANSI class 125

Suction flange - Standard : DN150 / PN10  
 - Option : 6" ANSI class 125

Weight of Pump with cooling jacket = 711 kg  
 Weight of Adjustable Legs = 33 kg