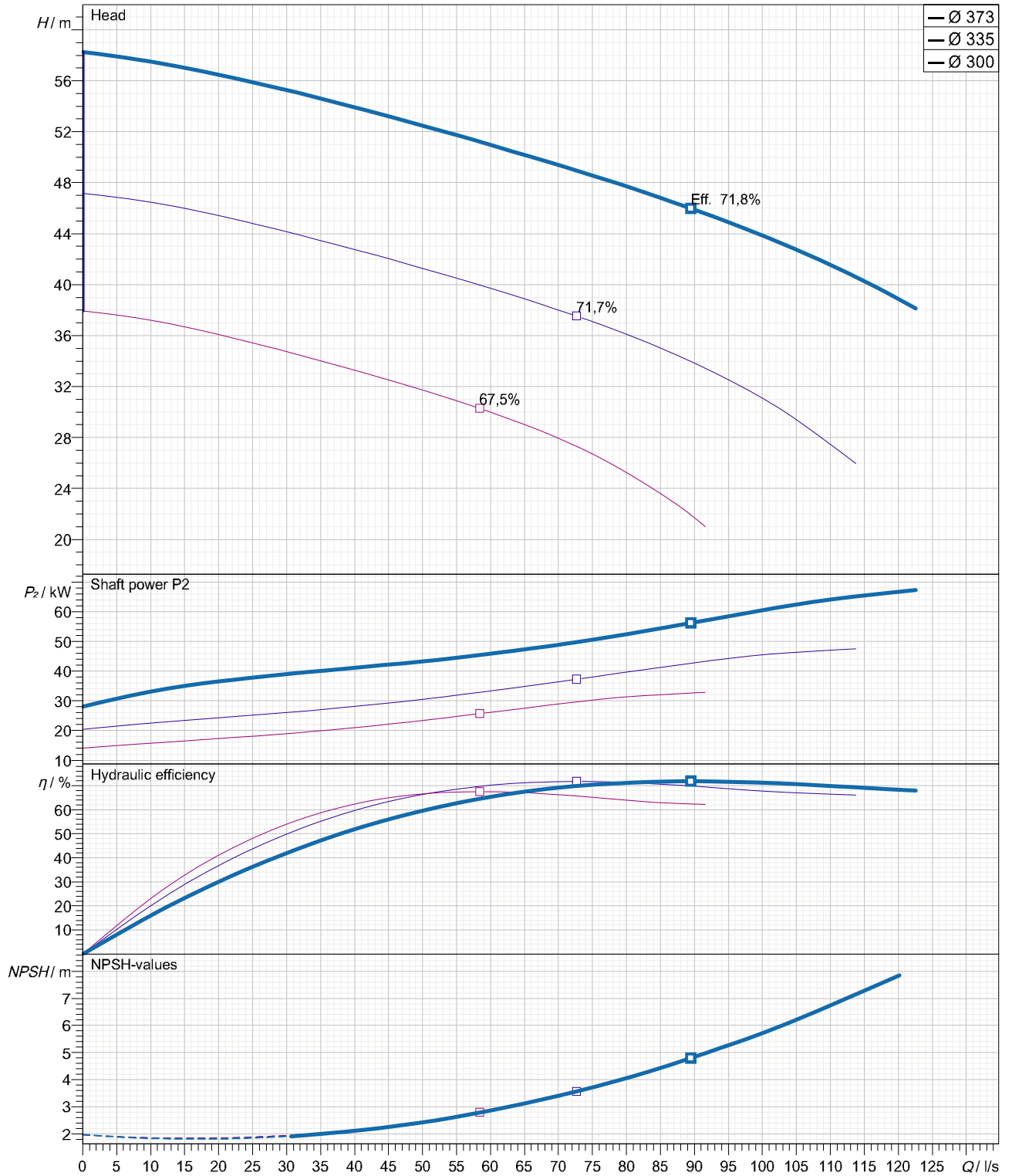


data referred to : Water; 20°C; 998,3kg/m³; 1,005mm²/s

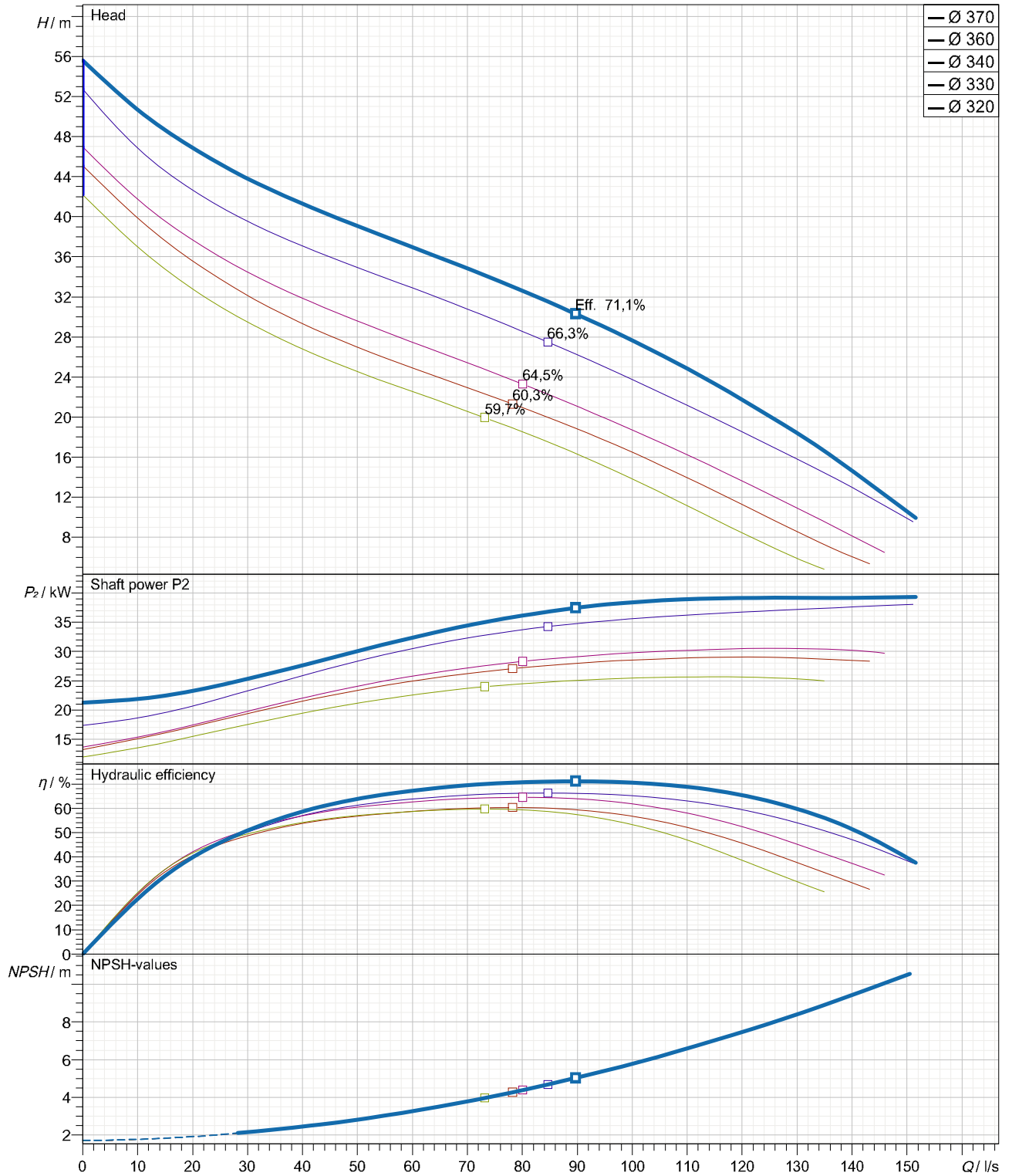
Tolerances acc. ISO 9906 Grade 2B



Curves are approximate, pump is guaranteed for one set of conditions (capacity, head, efficiency).

data referred to : Water; 20°C; 998,3kg/m³; 1,001mm²/s

Tolerances acc. ISO 9906 Grade 2B



Curves are approximate, pump is guaranteed for one set of conditions (capacity, head, efficiency).

Submersible, centrifugal, non-clogging sewage pump PX4-100.0-4 CHANNEL 1 capable of handling raw,unscreened sewage.

The pumps manufactured within European Union with the latest manufacturing and environmental standards and practical standard features as :

- Dual channel impeller made in ductile iron GGG40 are of non clogging design
- Channel and vortex impellers can be accommodated in the same volute. This advance together with possibility to be trimmed allow to meet changing duties.
- Wear rings with 'reducer' clearances system allow to be re-positioned axially in order to reduce the clearances between the channel impeller and volute.
- Fast lock connection system latch bolts made in stainless steel for easy removal of the motor together with impeller from the volute.

Submersible motor type M4.2B - 75 can be capable of operating continuously in submerged for wet installation. Cooling jacket with Internal cooling system is available as option.

-Electrical motor PXFLOW -SIEMENS standard IE1 or higher efficiency class (IE2 or IE3 as option) have Class H insulation (rated for 180 degrees Celsius) as standard

-Separate sealed terminal connection area

-Rotor shaft oversized made in stainless steel and oversized ball bearings ensuring smooth and vibration free running with extended life time as result.

-Shaft sealing system consist of double mechanical seals built into a replaceable cartridge facilitate quick changes even on-site without special tools.

Motor protections :

- Three thermal overload switches, one per phase, internally wound to combat high temperature loads.
- Built-in moisture sensors to terminal connection area (upper motor side), inside the motor (lower side) and in oil chamber

Materials

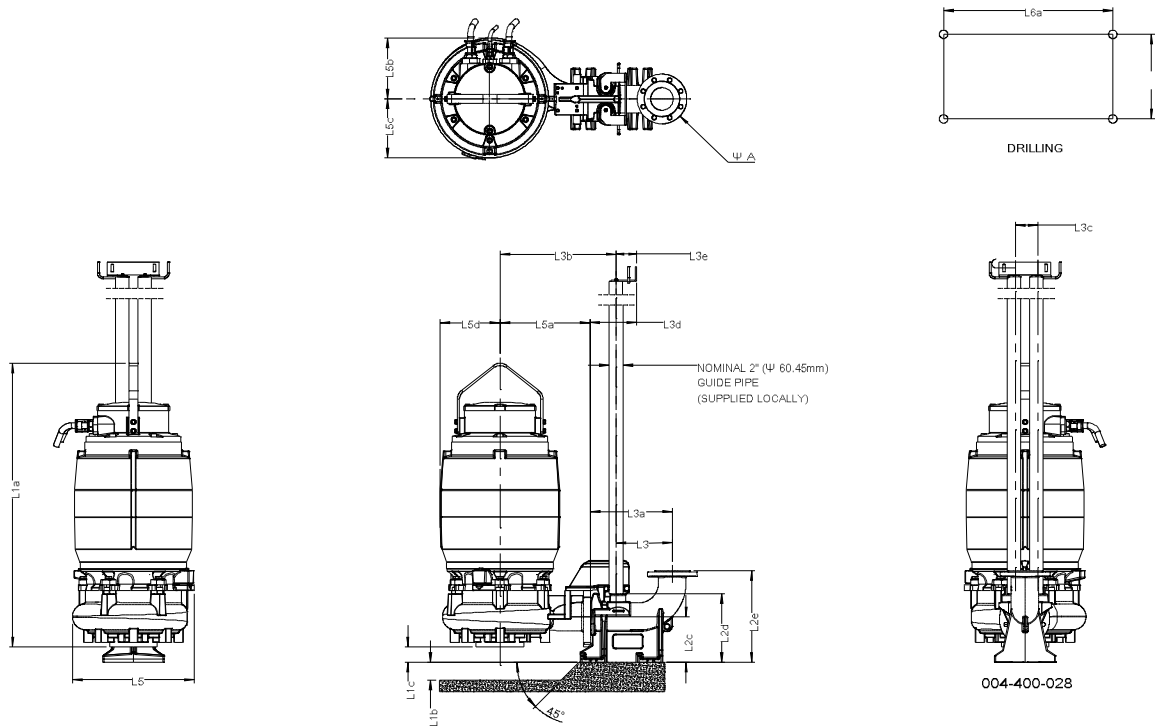
PX4-100.0-4 CHANNEL 1 (Dual channel impeller)+75 kW

- Motor housing, volute :cast iron GG -25
- Impeller : ductile iron GGG40
- Shaft, cartridge sleeve :stainless steel 431
- Shaft seal:Media side sic/sic
Cooling side sic/sic
- Bearings:upper:single row deep groove ball bearing
lower: double angular contact ball bearing

wet pit installation accesories set (on request)

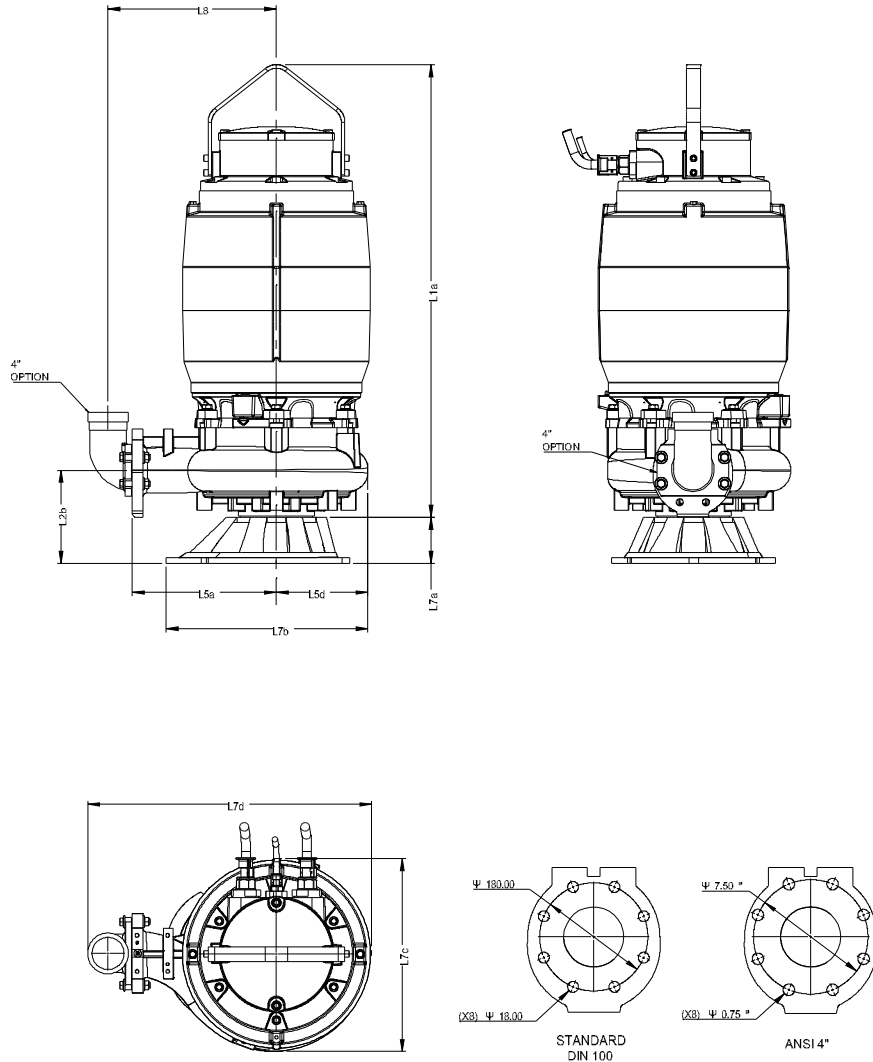
- Discharge connection bracket (DCB):cast iron GG -25 (standard) or stainless steel (option)
- adapter : ductile iron GGG40 (standard) or stainless steel (option)
- Upper guide bracket (UGB):galvanize steel (standard) or stainless steel (option)

PX4-100.0-4 CHANNEL 1 With motor M4.2B-75



Dimensions		mm	Dimensions		mm
Name	Value		Name	Value	
L1	1256		L5	533	For Discharge connection bracket : Outlet flange - Standard : DN100 / PN10 - Option : 4" ANSI class 125 - Option : DN150 / PN16 - Option : 6" ANSI class 125 For pump : Outlet flange - Standard : DN100 / PN10 - Option : 4" ANSI class 125 Suction flange - Standard : DN150 / PN16- Option : 6" ANSI class 125 - Option : DN100 / PN16 - Option : 4" ANSI class 125 Weight of Pump with cooling jacket = 706 kg (without cooling jacket : - 120,2 kg) Weight of Adapter = 10 kg Weight of Discharge connection bracket (DCB) 100 = 47 kg Weight of Discharge connection bracket (DCB) 150 = 67 kg
L1b	80		L5a	400	
L1c	69		L5b	270	
L2c	202		L5c	261	
L2d	303		L5d	265	
L2e	405,5		L6a	253	
L3	249		L6b	140	
L3a	364				
L3b	515				
L3c	100				
L3d	206				
L3e	91				

PX4-100.0-4 CHANNEL 1 With motor M4.2B-75



004-400-076

Dimensions	mm	Dimensions	mm
Name	Value	Name	Value
L1a	1256		
L2b	260		
L5a	400		
L5d	254		
L7a	127		
L7b	561		
L7c	545		
L7d	789		
L8	467,5		

Outlet for hose - Option : " 100mm (4")

For pump :

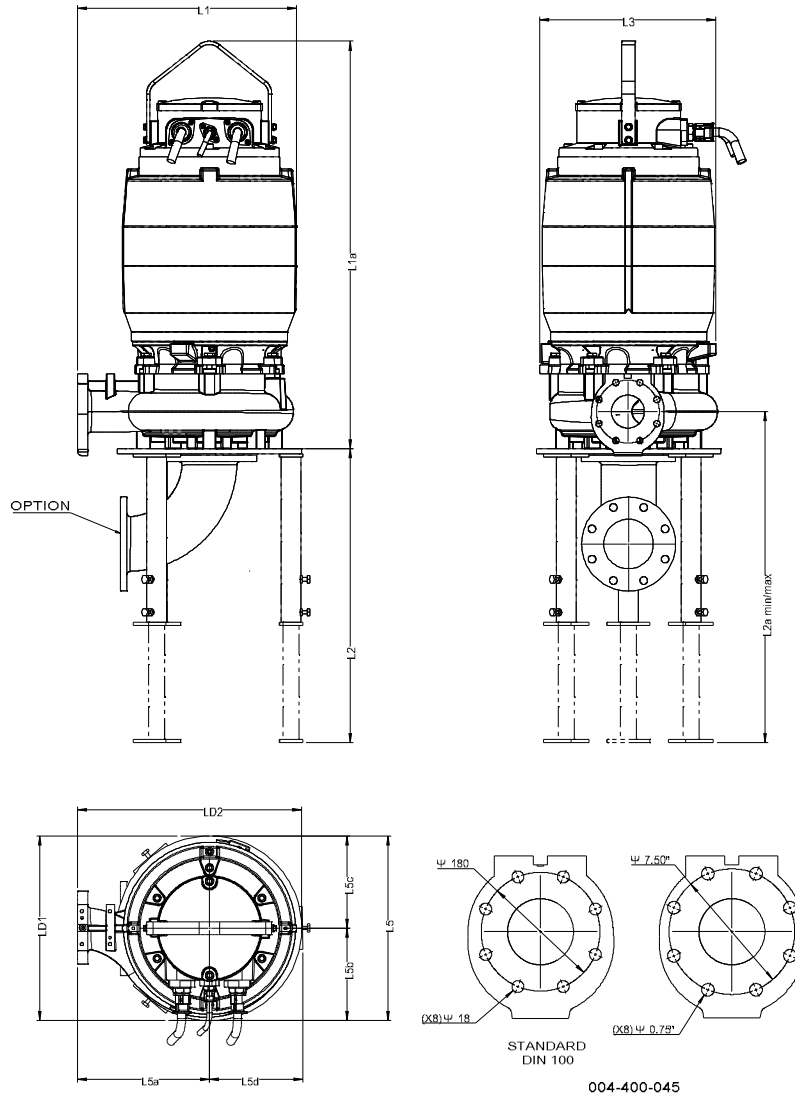
Outlet flange - Standard : DN100 / PN10
- Option : 4"ANSIclass 125

Suction flange - Standard : DN150 / PN10
- Option : 6" ANSI class 125

Weight of Pump with cooling jacket = 706 kg
(without cooling jacket : - 120,2 kg)

Weight of Base for Transportable = 34 kg

PX4-100.0-4 CHANNEL 1 With motor M4.2B-75



004-400-045

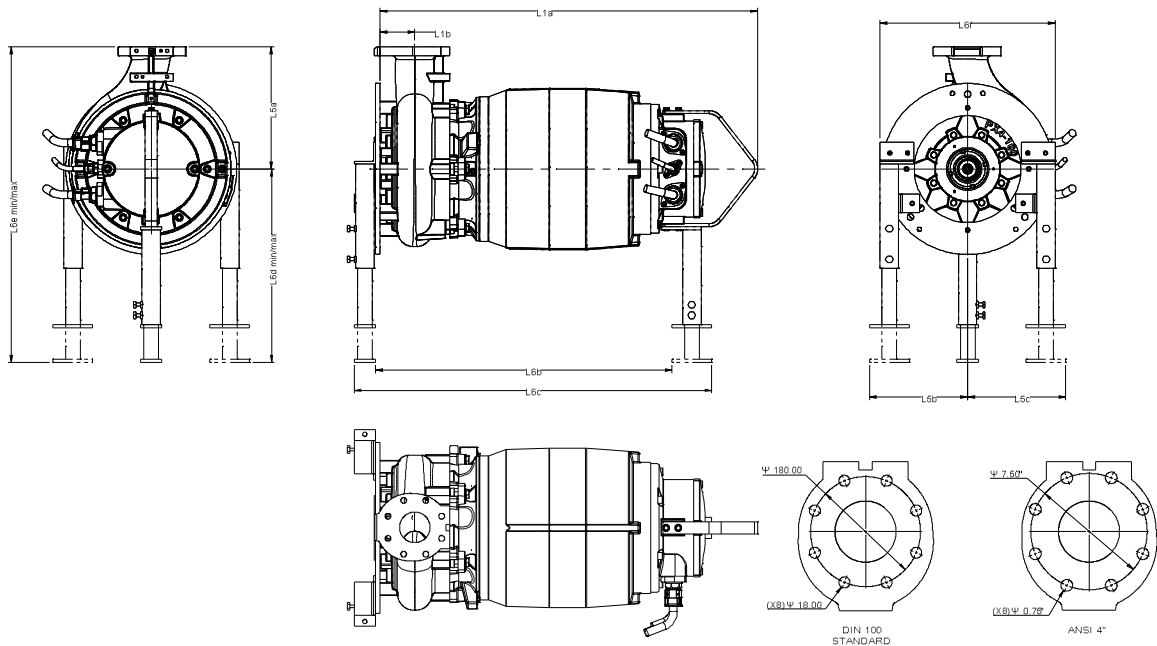
Dimensions		mm	Dimensions		mm
Name	Value		Name	Value	
L1	654		LD2	680	
L1a	1245				
L2	890,5				
L2a max	1004				
L2a mim	648,5				
L3	539				
L5	560				
L5a	400				
L5b	280				
L5c	280				
L5d	283				
LD1	560				

Outlet flange - Standard : DN100 / PN10
- Option : 4" ANSI class 125

Suction flange - Standard : DN150 / PN10
- Option : 6" ANSI class 125

Weight of Pump with cooling jacket = 706 kg
Weight of Adjustable Legs = 35 kg

PX4-100.0-4 CHANNEL 1 With motor M4.2B-75



Dimensions	mm	Dimensions	mm
Name	Value	Name	Value
L1a	1236	L6f	574
L1b	113		
L5a	400		
L5b	322		
L5c	322		
L5e	0		
L6b	971		
L6c	1171		
L6d max	633		
L6d min	519		
L6e max	1033		
L6e min	919		

Outlet flange - Standard : DN100 / PN10
- Option : 4" ANSI class 125

Suction flange - Standard : DN150 / PN10
- Option : 6" ANSI class 125

Weight of Pump with cooling jacket = 706 kg
Weight of Adjustable Legs = 33 kg