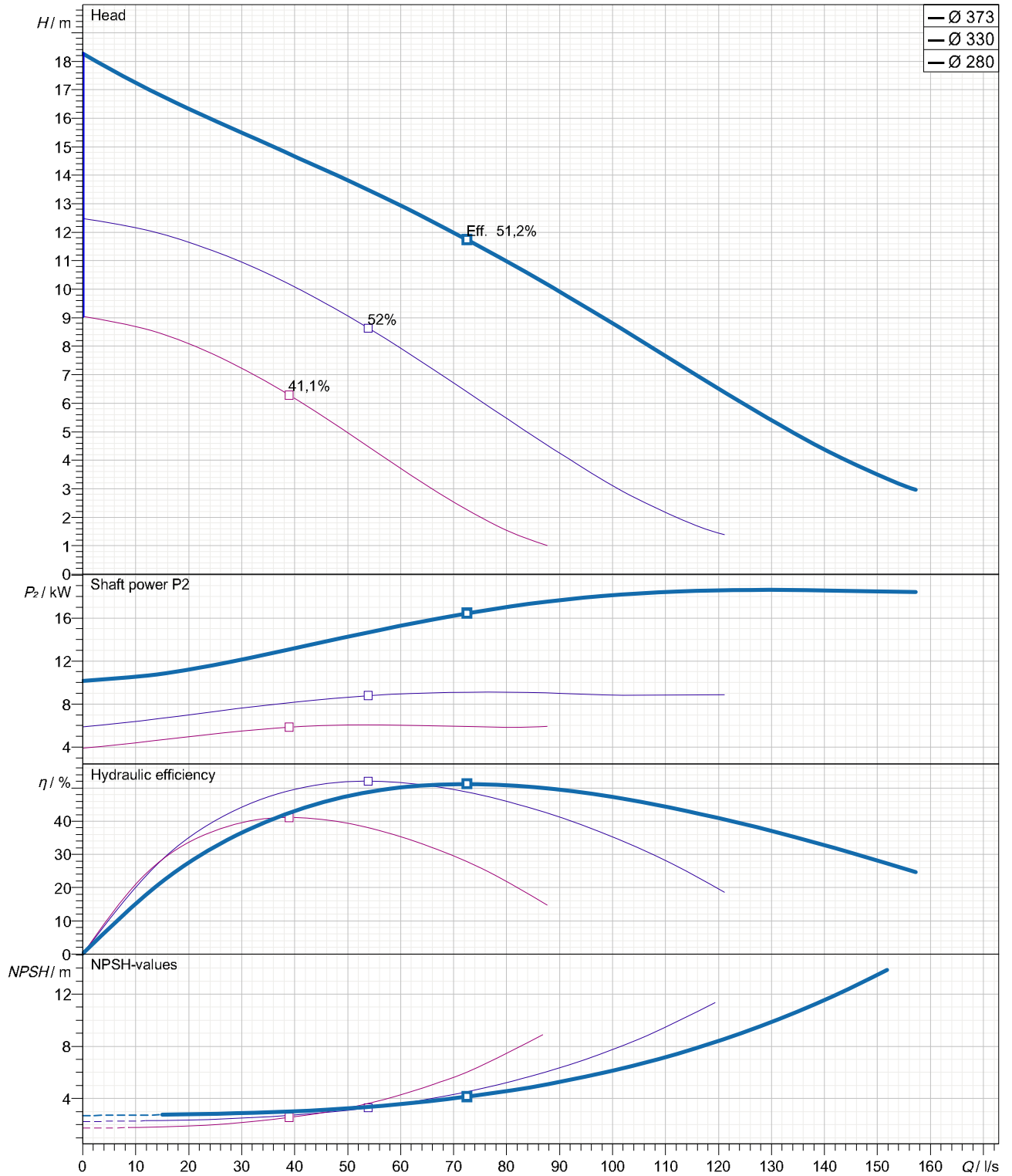


data referred to : Water; 20°C; 998,3kg/m<sup>3</sup>; 1,001mm<sup>2</sup>/s

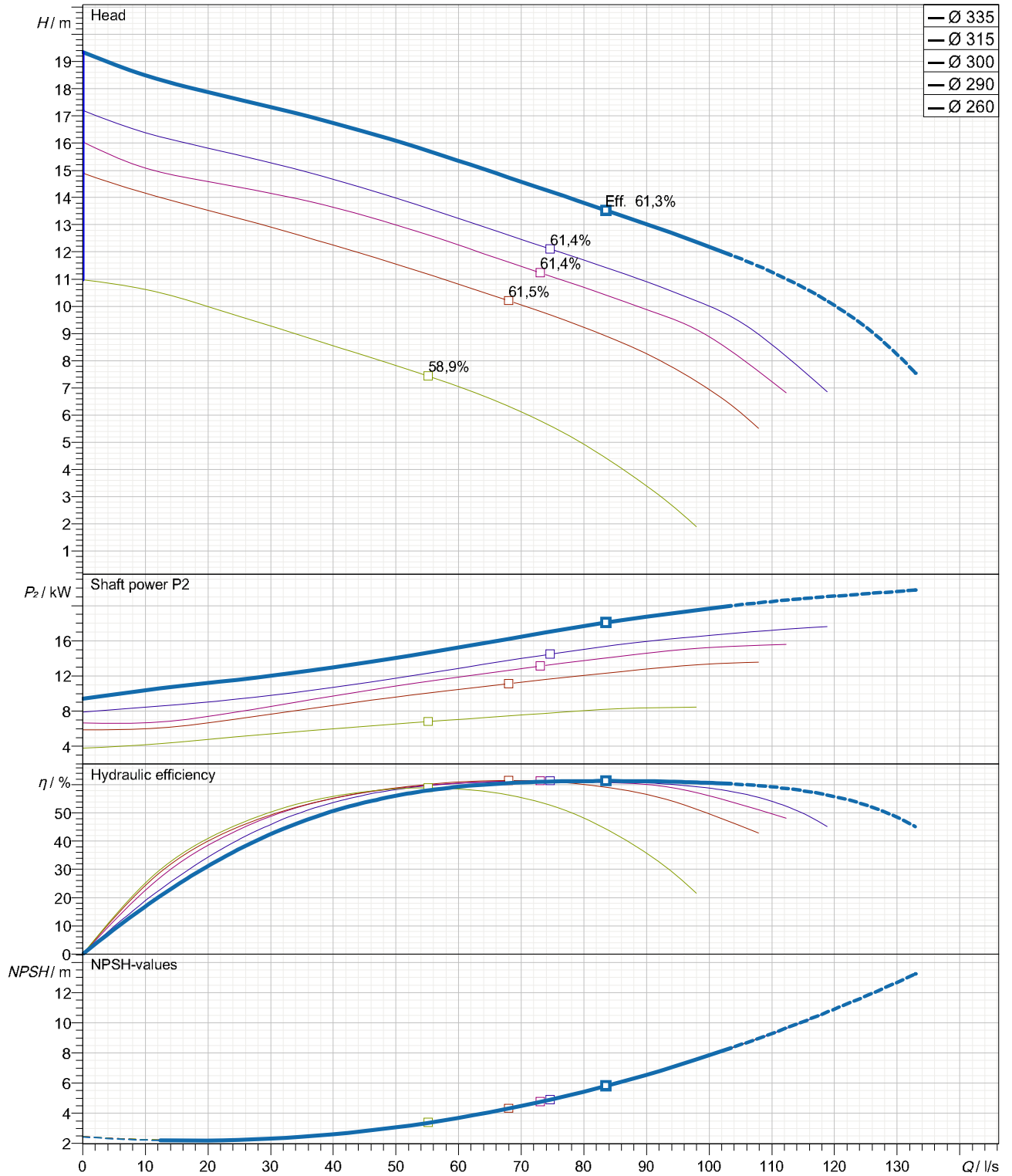
Tolerances acc. ISO 9906 Grade 2B



Curves are approximate, pump is guaranteed for one set of conditions (capacity, head, efficiency).

data referred to : Water; 20°C; 998,3kg/m<sup>3</sup>; 1,001mm<sup>2</sup>/s

Tolerances acc. ISO 9906 Grade 2B



Curves are approximate, pump is guaranteed for one set of conditions (capacity, head, efficiency).

Submersible, centrifugal, non-clogging sewage pump PX3-150.0-6 VORTEX 2 capable of handling raw,unscreened sewage.

The pumps manufactured within European Union with the latest manufacturing and environmental standards and practical standard features as :

- Vortex impeller made in ductile iron GGG40 are of non clogging design
- Channel and vortex impellers can be accommodated in the same volute. This advance together with possibility to be trimmed allow to meet changing duties.
- Wear rings with 'reducer' clearances system allow to be re-positioned axially in order to reduce the clearances between the channel impeller and volute.
- Fast lock connection system latch bolts made in stainless steel for easy removal of the motor together with impeller from the volute.

Submersible motor type M3.1D-20,0 can be capable of operating continuously in submerged for wet installation. Cooling jacket with Internal cooling system is available as option.

-Electrical motor PXFLOW -SIEMENS standard IE1 or higher efficiency class (IE2 or IE3 as option) have Class F insulation (rated for 155 degrees Celsius) as standard (Class H as option)

-Separate sealed terminal connection area

-Rotor shaft oversized made in stainless steel and oversized ball bearings ensuring smooth and vibration free running with extended life time as result.

-Shaft sealing system consist of double mechanical seals built into a replaceable cartridge facilitate quick changes even on-site without special tools.

Motor protections :

- Three thermal overload switches, one per phase, internally wound to combat high temperature loads.
- Built-in moisture sensors to terminal connection area (upper motor side), inside the motor (lower side) and in oil chamber

Materials

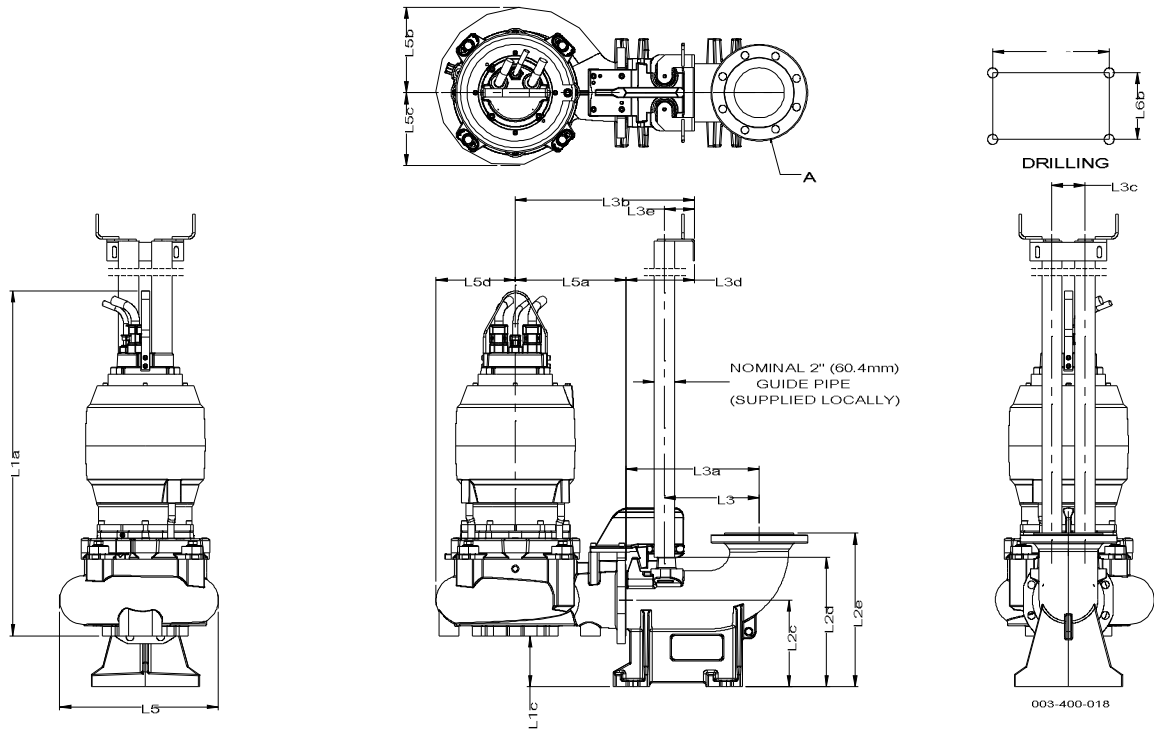
PX3-150.0-6 VORTEX 2 ( Vortex impeller )+20 kW

- Motor housing, volute :cast iron GG -25
- Impeller : ductile iron GGG40
- Shaft, cartridge sleeve :stainless steel 431
- Shaft seal:Media side sic/sic  
Cooling side sic/sic
- Bearings:upper:single row deep groove ball bearing  
lower: double angular contact ball bearing

wet pit installation accesories set (on request)

- Discharge connection bracket (DCB):cast iron GG -25 (standard) or stainless steel (option)
- adapter : ductile iron GGG40 (standard) or stainless steel (option)
- Upper guide bracket (UGB):galvanize steel (standard) or stainless steel (option)

**PX3-150.0-6 VORTEX 2 With motor M3.1D-20**



003-400-018

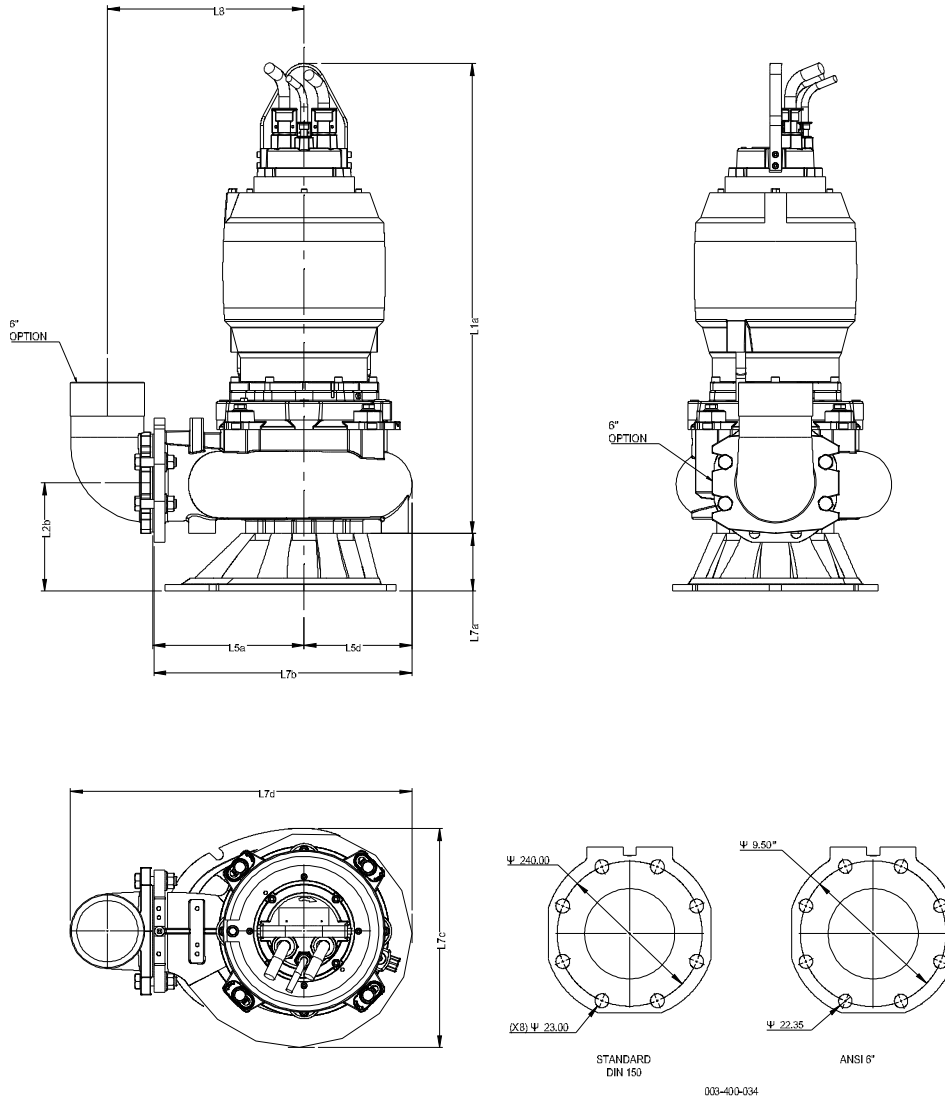
Dimensions		Dimensions	
Name	mm	Name	mm
L1a	1037	L5a	333
L1c	153	L5b	258
L2c	260	L5c	220
L2d	388,5	L5d	239
L2e	460	L6a	280
L3	285	L6b	203,6
L3a	400		
L3b	539		
L3c	100		
L3d	206		
L3e	91		
L5	477		

For Discharge connection bracket :  
 Outlet flange - Standard : DN150 / PN10- Option : 6" ANSI class 125

For pump :  
 Outlet flange - Standard : DN150 / PN16- Option : 6" ANSI class 125  
 Suction flange - Standard : DN150 / PN16 - Option : 6" ANSI class 125

Weight of Pump with cooling jacket = 307 kg  
 ( without cooling jacket : -33,5 kg )  
 Weight of Adapter = 10 kg  
 Weight of Discharge connection bracket (DCB) 150 = 67

**PX3-150.0-6 VORTEX 2 With motor M3.1D-20**



Dimensions		Dimensions	
Name	mm	Name	mm
L1a	1037		
L2b	239		
L5a	334		
L5d	239		
L7a	127		
L7b	573		
L7c	484		
L7d	754		
L8	334		

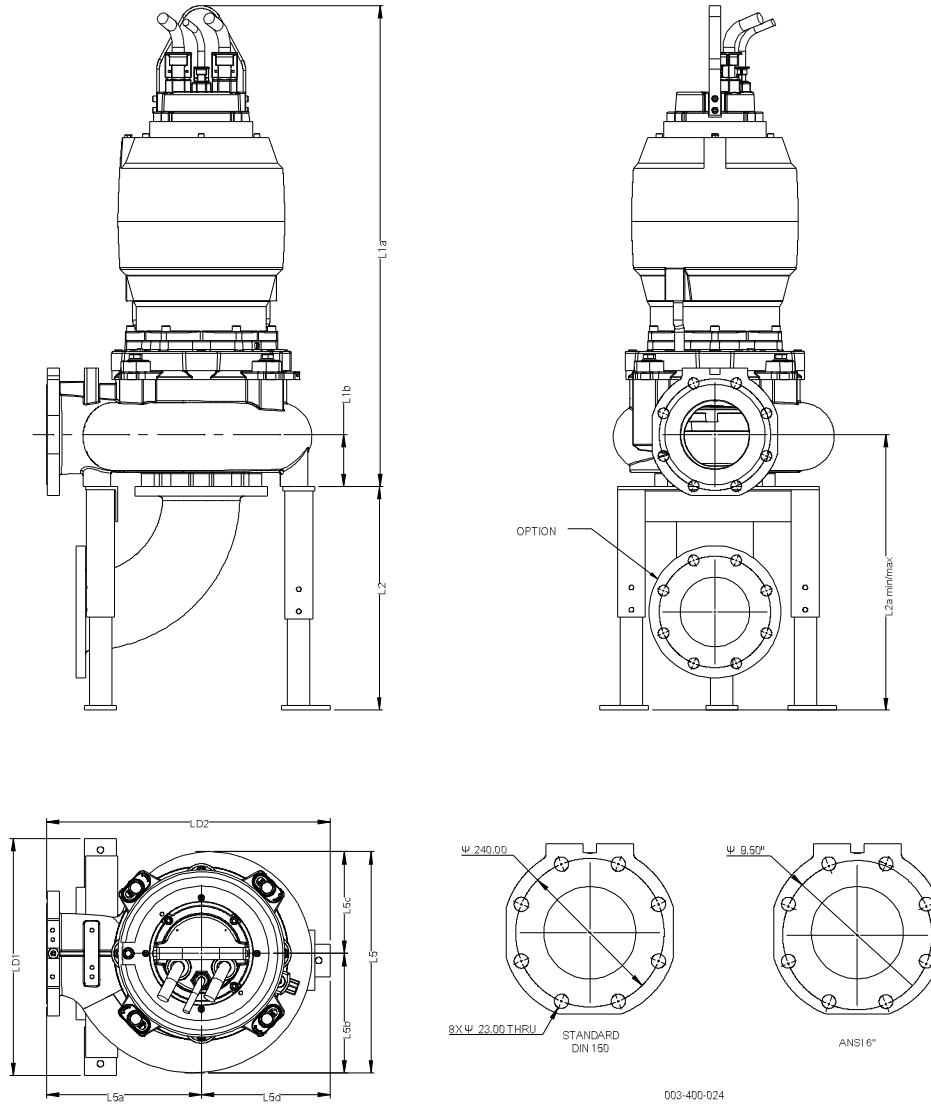
Outlet for hose - Option : " 150mm (6")

For pump :  
Outlet flange - Standard : DN150 / PN16  
- Option : 6" ANSI class 125

Suction flange - Standard : DN150 / PN16  
- Option : 6" ANSI class 125

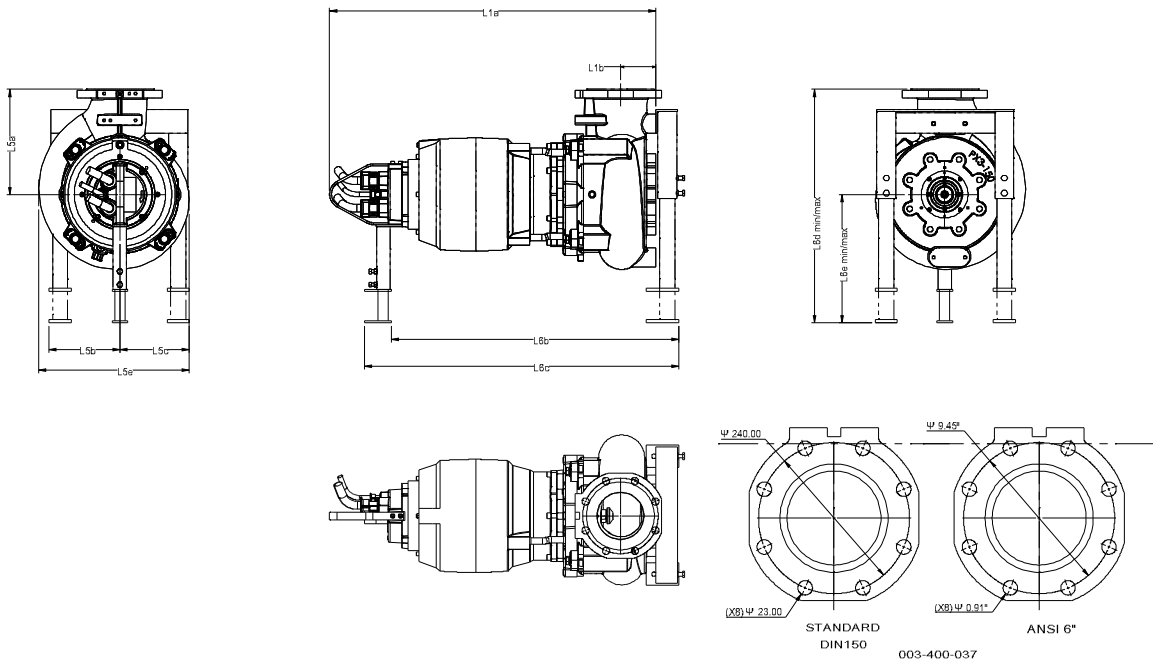
Weight of Pump with cooling jacket = 307 kg  
( without cooling jacket : - 33,5 kg )  
Weight of Base for Transportable = 16,5 kg

**PX3-150.0-6 VORTEX 2 With motor M3.1D-20**



Dimensions		mm	Dimensions		mm	
Name	Value		Name	Value		
L1a	1037		LD2	612		Outlet flange - Standard : DN150 / PN16 - Option : 6" ANSI class 125
L1b	112					
L2 max	481,5					Suction flange - Standard : DN150 / PN16 - Option : 6" ANSI class 125
L2 min	413					
L2a max	593					
L2a min	525					
L5	477					Weight of Pump with cooling jacket = 307 kg
L5a	334					Weight of Adjustable Legs = 15,2 kg
L5b	258					
L5c	220					
L5d	239					
LD1	511					

**PX3-150.0-6 VORTEX 2 With motor M3.1D-20**



Dimensions		mm	Dimensions		mm
Name	Value		Name	Value	
L1	1037				
L1b	90				
L5a	334				
L5b	225				
L5c	220				
L5e	448				
L6b	915,5				
L6c	1000				
L6dmax	742				
L6dmin	642				
L6emax	407,5				
L6emin	307,5				

Outlet flange - Standard : DN150 / PN16  
- Option : 6" ANSI class 125

Suction flange - Standard : DN150 / PN16  
- Option : 6" ANSI class 125

Weight of Pump with cooling jacket = 307 kg  
Weight of Adjustable Legs = 15,2 kg