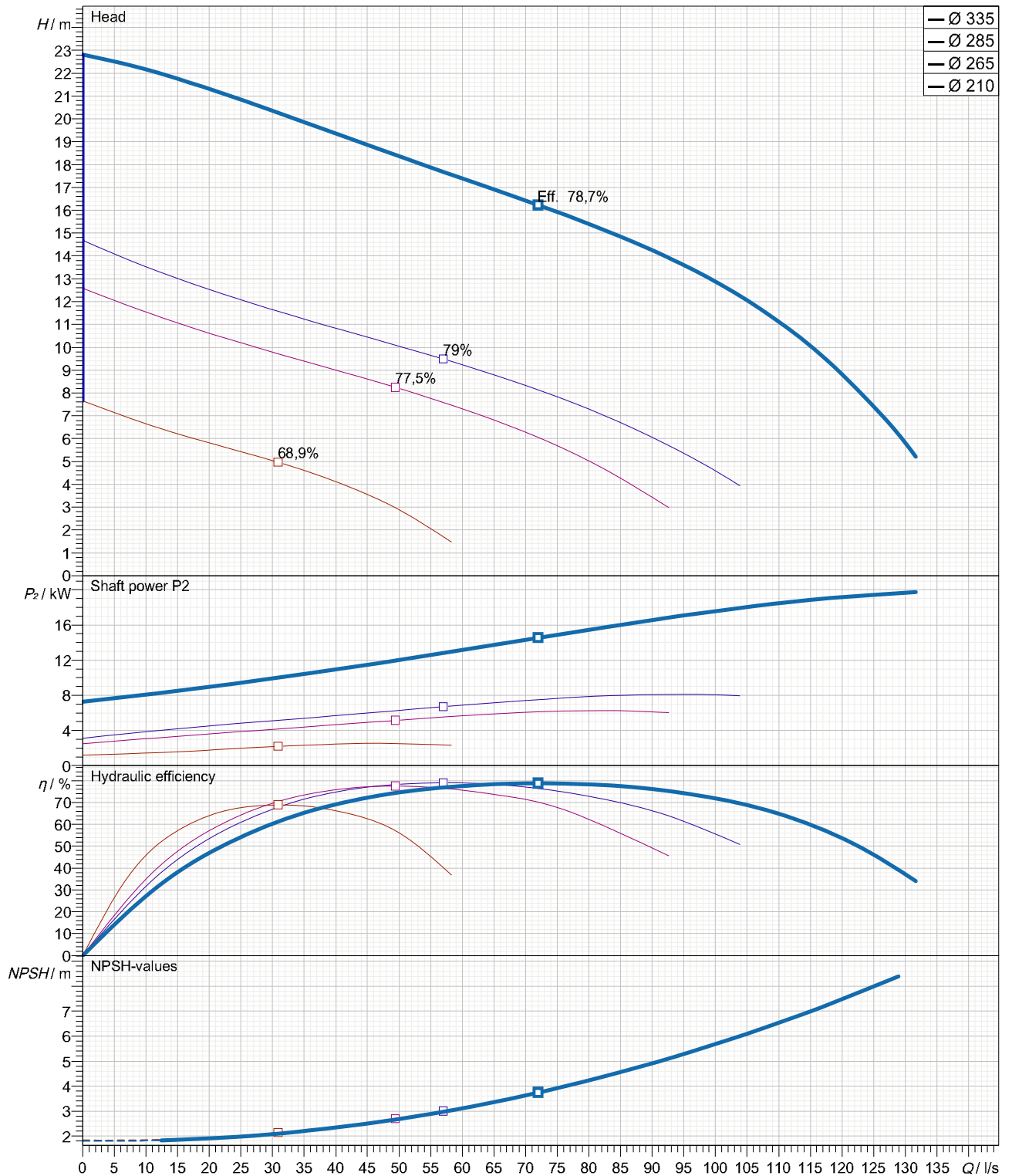


data referred to : Water; 20°C; 998,3kg/m³; 1,001mm²/s

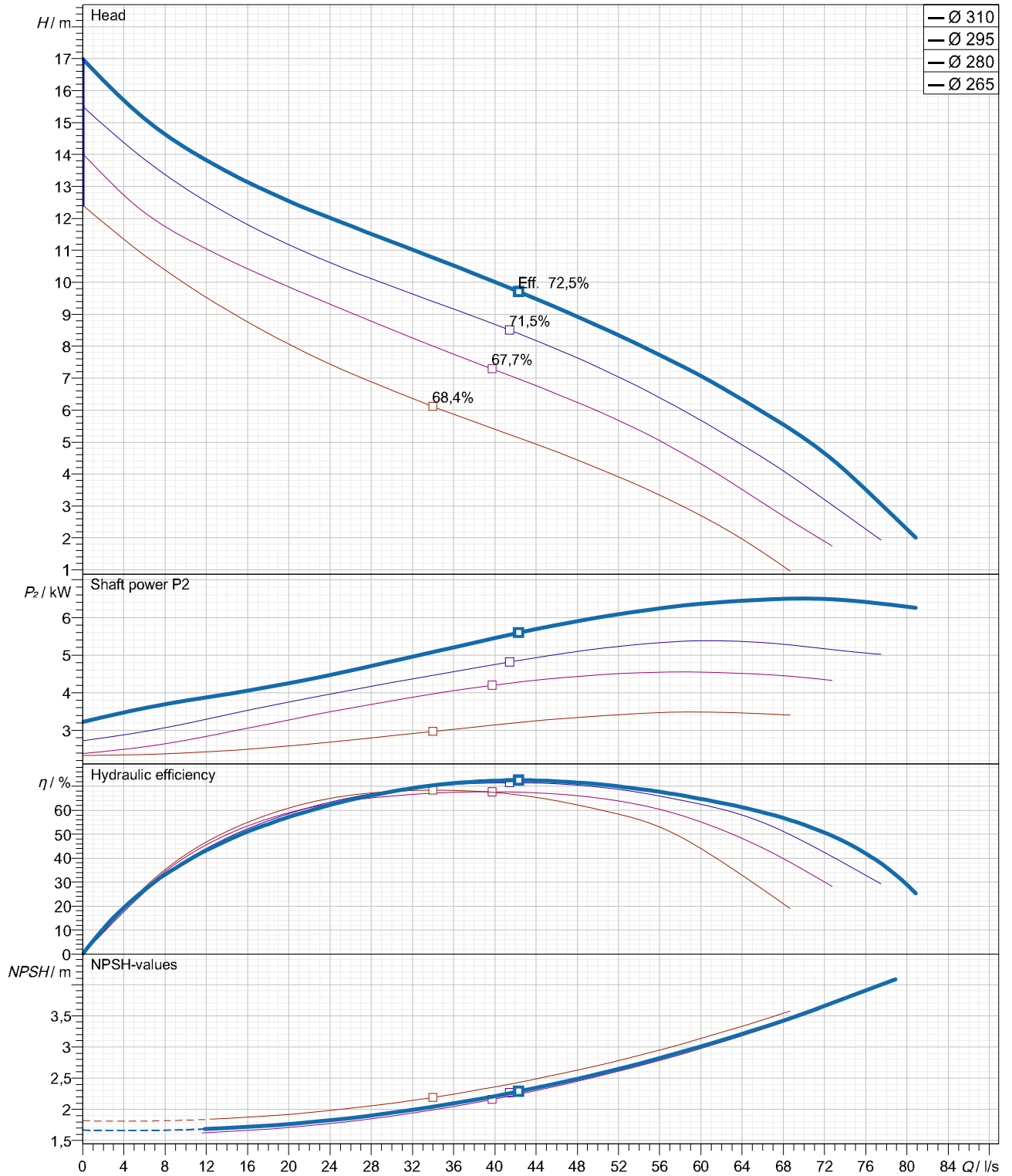
Tolerances acc. ISO 9906 Grade 2B



Curves are approximate, pump is guaranteed for one set of conditions (capacity, head, efficiency).

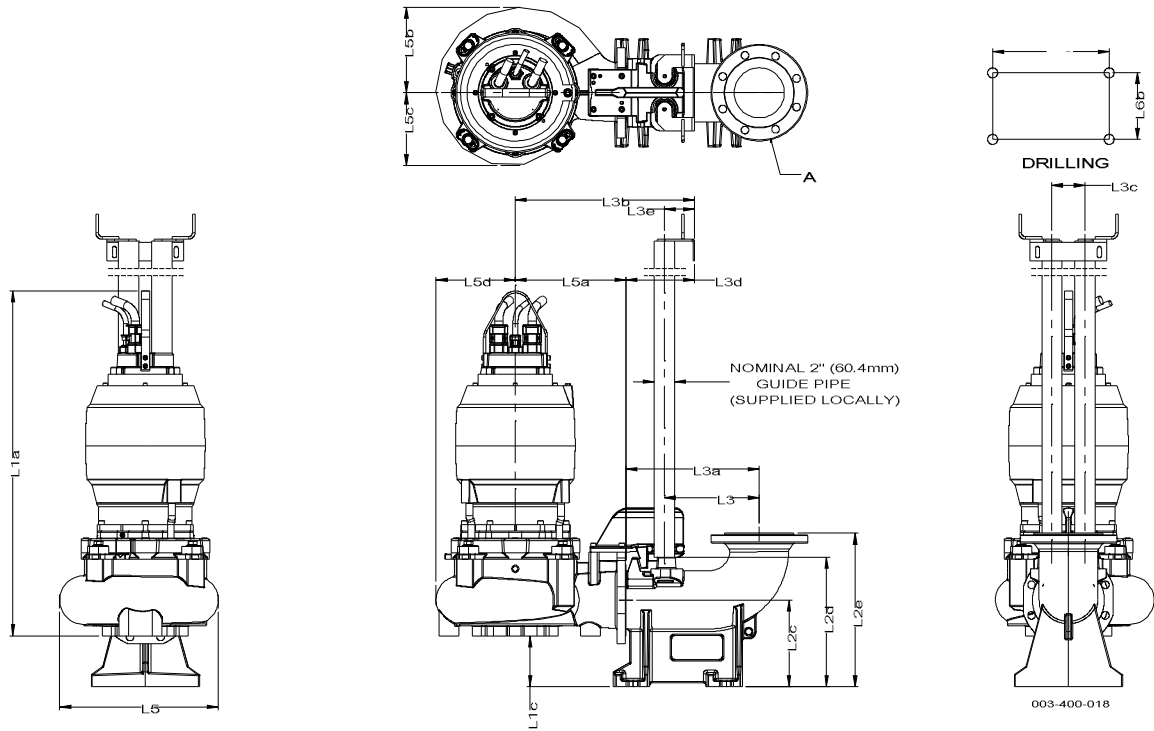
data referred to : Water; 20°C; 998,3kg/m³; 1,001mm²/s

Tolerances acc. ISO 9906 Grade 2B



Curves are approximate, pump is guaranteed for one set of conditions (capacity, head, efficiency).

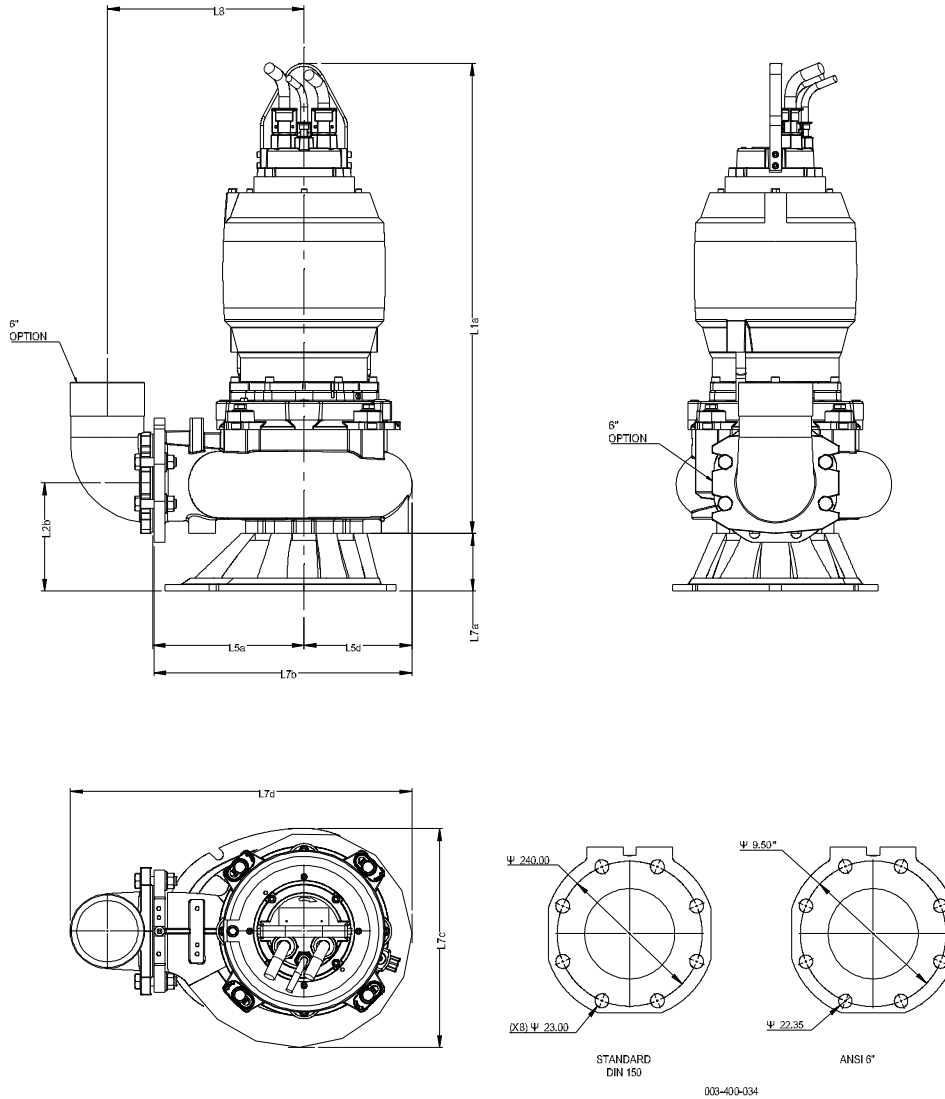
PX3-150.0-6 CHANNEL 1 With motor M3.1D-20



003-400-018

Dimensions		Dimensions		
Name	Value	Name	Value	
L1a	1037	L5a	333	For Discharge connection bracket : Outlet flange - Standard : DN150 / PN10- Option : 6" ANSI class 125
L1c	153	L5b	258	
L2c	260	L5c	220	For pump : Outlet flange - Standard : DN150 / PN16- Option : 6" ANSI class 125
L2d	388,5	L5d	239	
L2e	460	L6a	280	Suction flange - Standard : DN150 / PN16 - Option : 6" ANSI class 125
L3	285	L6b	203,6	
L3a	400			Weight of Pump with cooling jacket = 307 kg (without cooling jacket : - 33,5 kg)
L3b	539			
L3c	100			Weight of Adapter = 10 kg Weight of Discharge connection bracket (DCB) 150 = 67
L3d	206			
L3e	91			
L5	477			

PX3-150.0-6 CHANNEL 1 With motor M3.1D-20



Dimensions		Dimensions	
Name	mm	Name	mm
L1a	1037		
L2b	239		
L5a	334		
L5d	239		
L7a	127		
L7b	573		
L7c	484		
L7d	754		
L8	334		

Outlet for hose - Option : " 150mm (6")

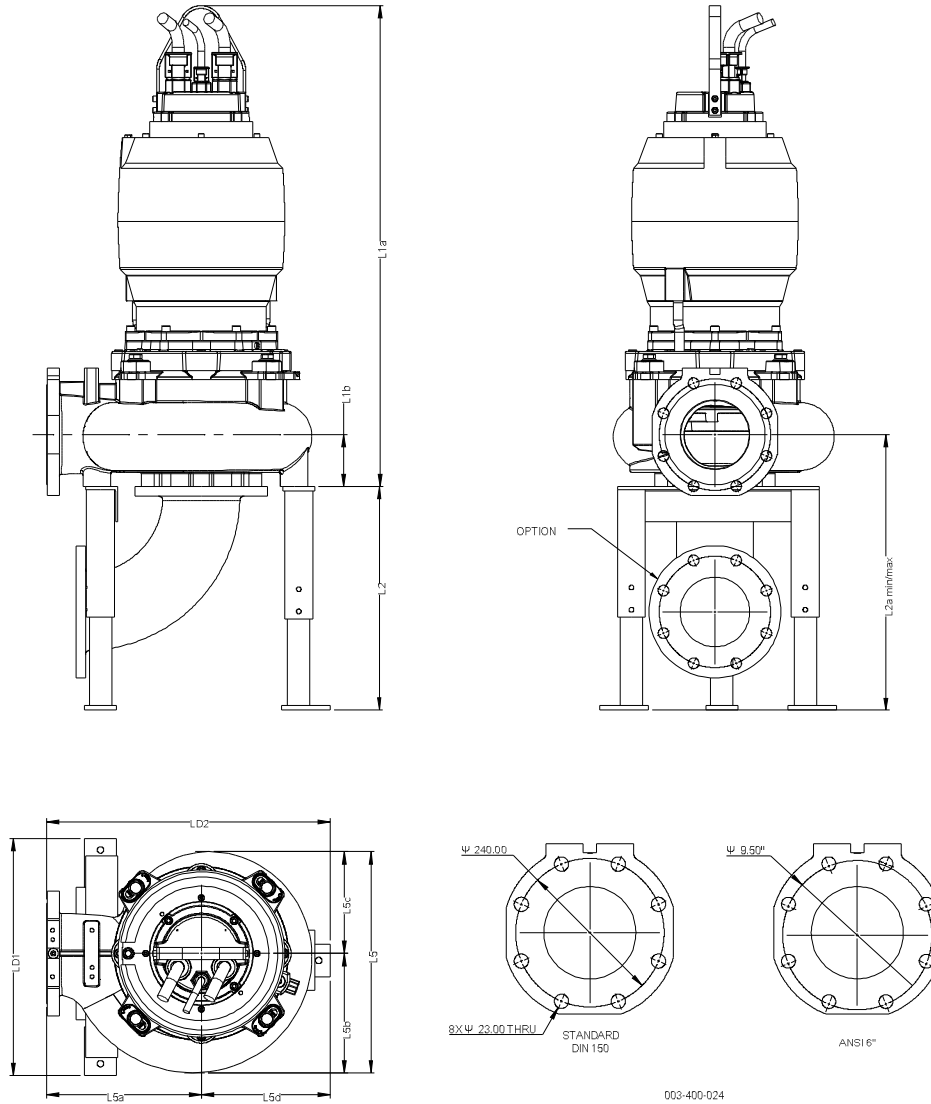
For pump :

Outlet flange - Standard : DN150 / PN16
- Option : 6" ANSI class 125

Suction flange - Standard : DN150 / PN16
- Option : 6" ANSI class 125

Weight of Pump with cooling jacket = 307 kg
(without cooling jacket : - 33,5 kg)
Weight of Base for Transportable = 16,5 kg

PX3-150.0-6 CHANNEL 1 With motor M3.1D-20



003-400-024

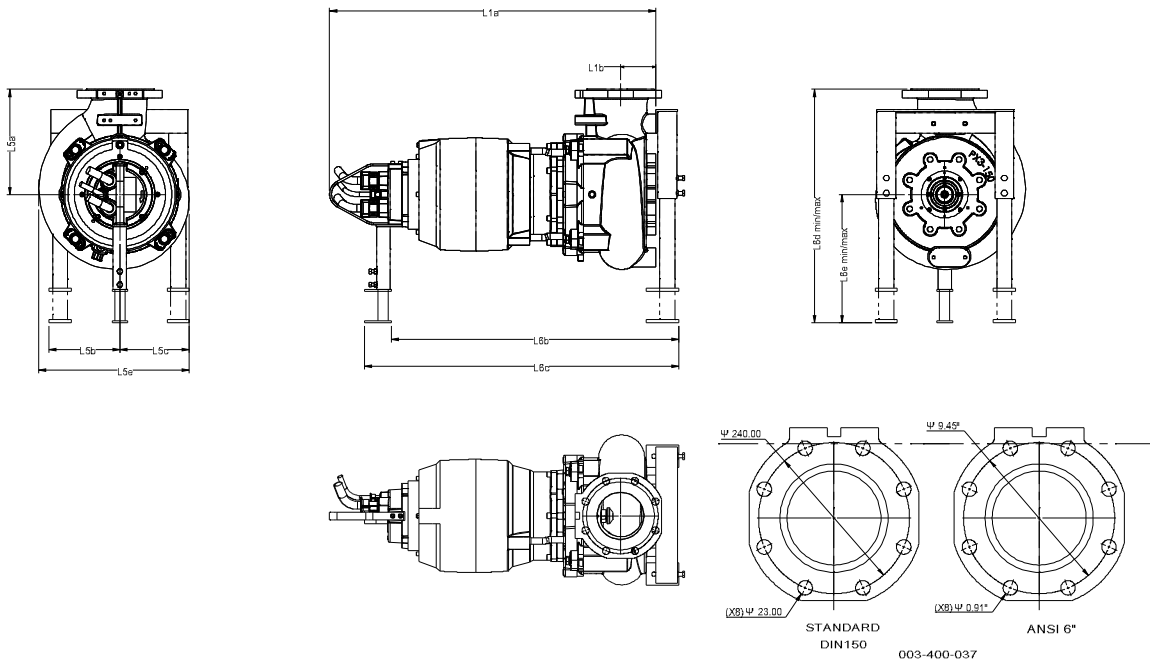
Dimensions	mm	Dimensions	mm
Name	Value	Name	Value
L1a	1037	LD2	612
L1b	112		
L2 max	481,5		
L2 min	413		
L2a max	593		
L2a min	525		
L5	477		
L5a	334		
L5b	258		
L5c	220		
L5d	239		
LD1	511		

Outlet flange - Standard : DN150 / PN16
 - Option : 6" ANSI class 125

Suction flange - Standard : DN150 / PN16
 - Option : 6" ANSI class 125

Weight of Pump with cooling jacket = 307 kg
 Weight of Adjustable Legs = 15,2 kg

PX3-150.0-6 CHANNEL 1 With motor M3.1D-20



Dimensions		Dimensions	
Name	mm	Name	mm
L1	1037		
L1b	90		
L5a	334		
L5b	225		
L5c	220		
L5e	448		
L6b	915,5		
L6c	1000		
L6dmax	742		
L6dmin	642		
L6emax	407,5		
L6emin	307,5		

Outlet flange - Standard : DN150 / PN16
 - Option : 6" ANSI class 125

Suction flange - Standard : DN150 / PN16
 - Option : 6" ANSI class 125

Weight of Pump with cooling jacket = 307 kg
 Weight of Adjustable Legs = 15,2 kg