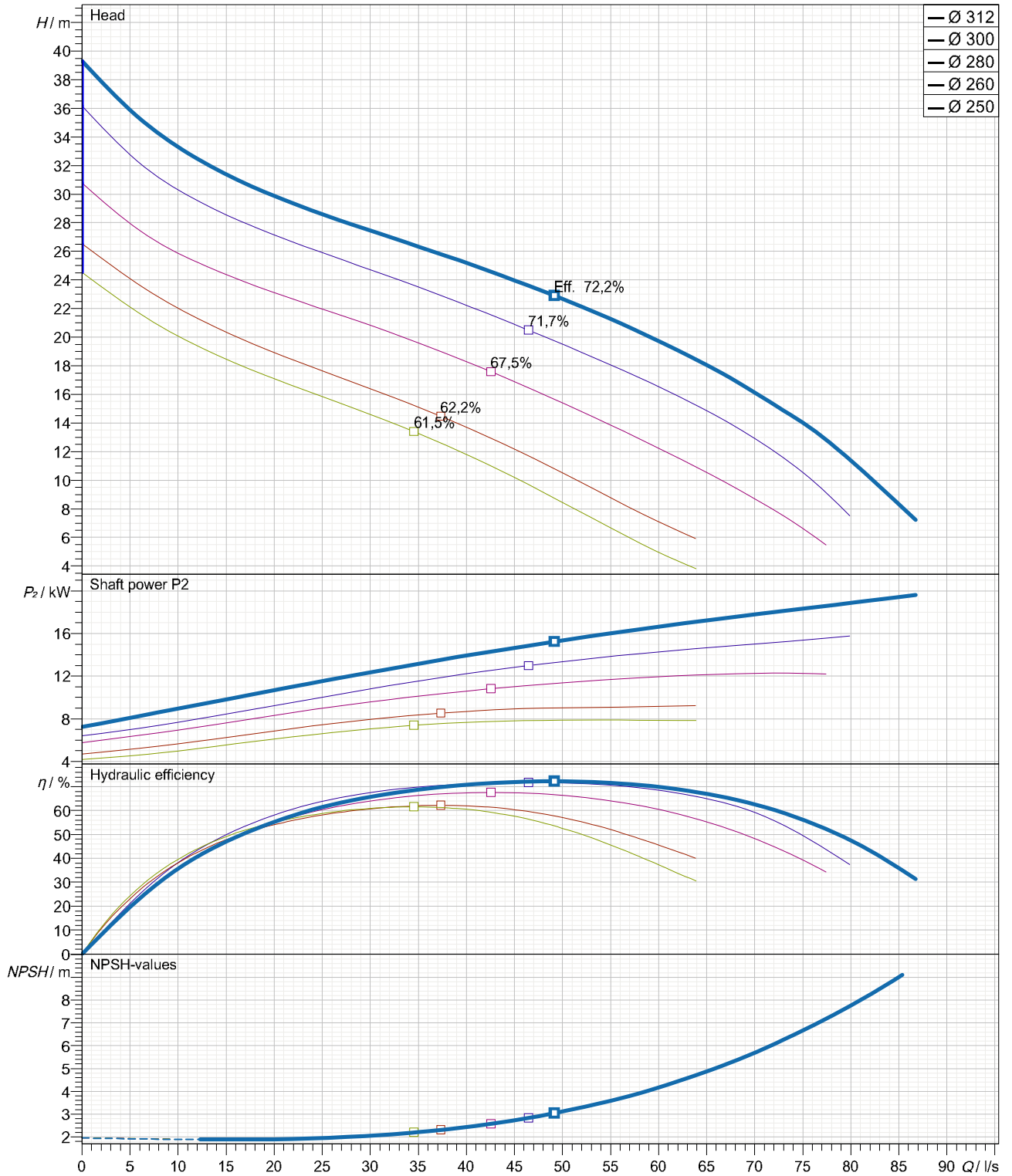


data referred to : Water; 20°C; 998,3kg/m³; 1,001mm²/s

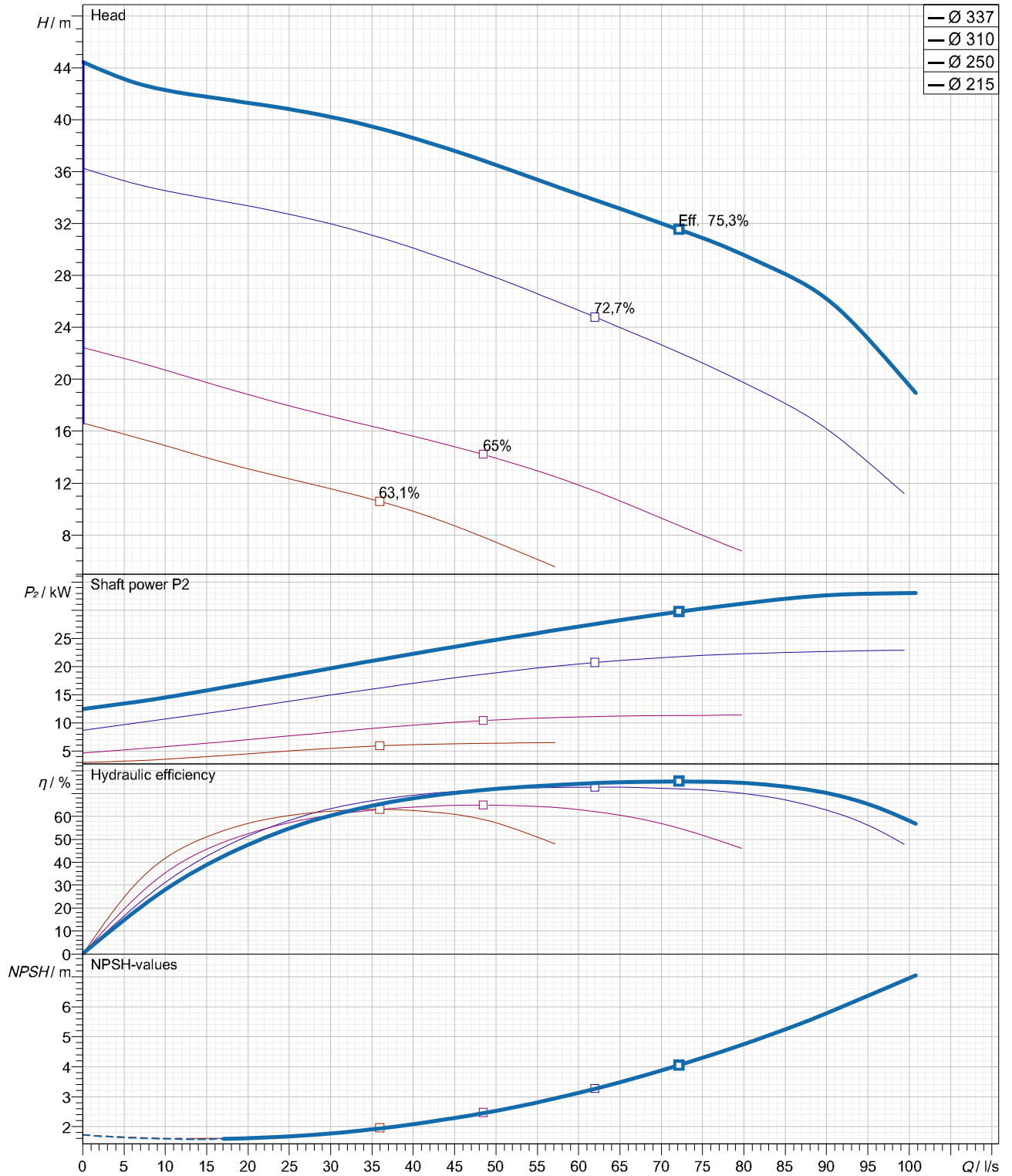
Tolerances acc. ISO 9906 Grade 2B



Curves are approximate, pump is guaranteed for one set of conditions (capacity, head, efficiency).

data referred to : Water; 20°C; 998,3kg/m³; 1,001mm²/s

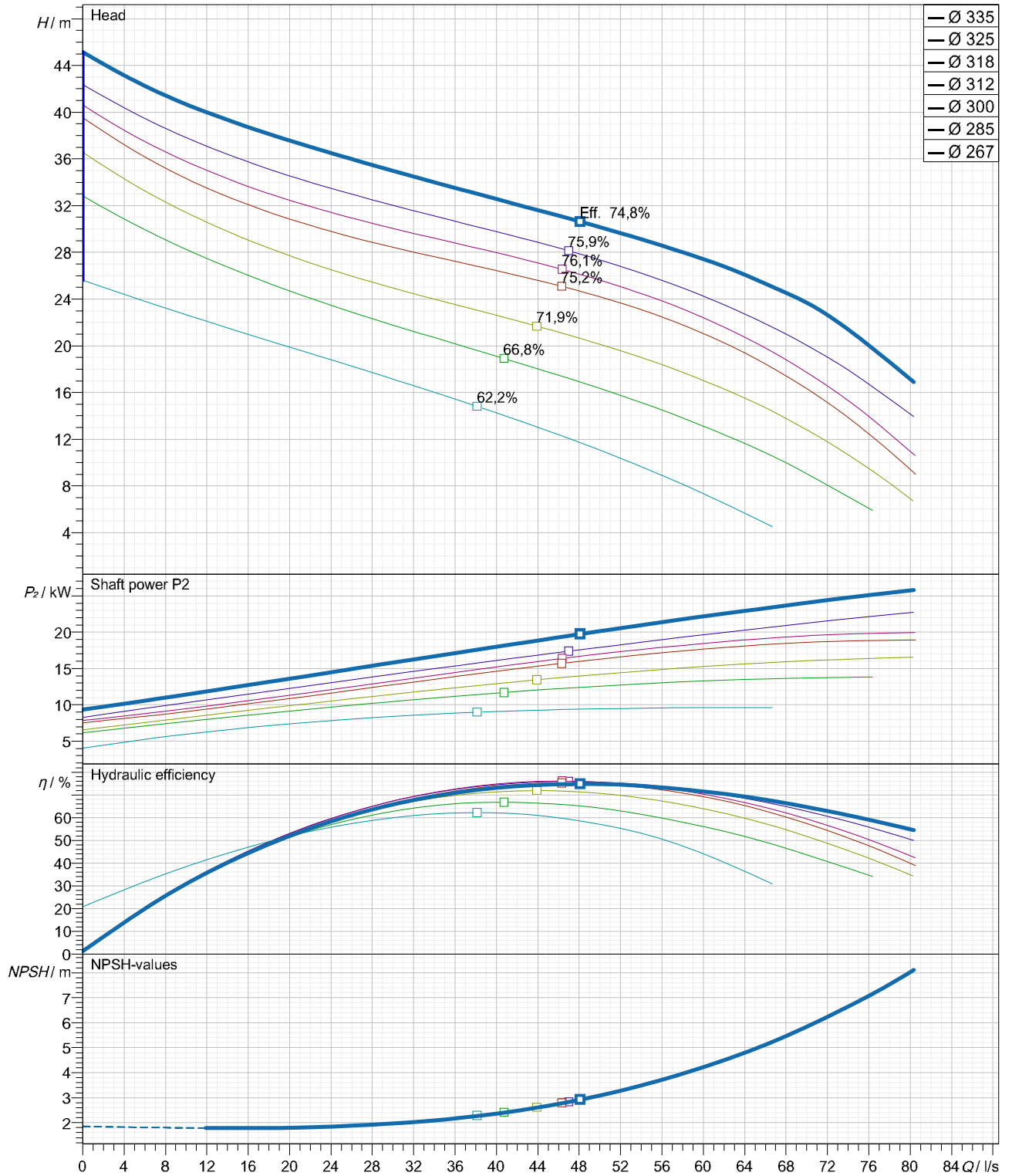
Tolerances acc. ISO 9906 Grade 2B



Curves are approximate, pump is guaranteed for one set of conditions (capacity, head, efficiency).

data referred to : Water; 20°C; 998,3kg/m³; 1,001mm²/s

Tolerances acc. ISO 9906 Grade 2B



Curves are approximate, pump is guaranteed for one set of conditions (capacity, head, efficiency).

Submersible, centrifugal, non-clogging sewage pump PX3-100.0-4 CHANNEL 3 capable of handling raw,unscreened sewage.

The pumps manufactured within European Union with the latest manufacturing and environmental standards and practical standard features as :

- Single channel impeller made in ductile iron GGG40 are of non clogging design
- Channel and vortex impellers can be accommodated in the same volute. This advance together with possibility to be trimmed allow to meet changing duties.
- Wear rings with 'reducer' clearances system allow to be re-positioned axially in order to reduce the clearances between the channel impeller and volute.
- Fast lock connection system latch bolts made in stainless steel for easy removal of the motor together with impeller from the volute.

Submersible motor type M3.1D-28 can be capable of operating continuously in submerged for wet installation. Cooling jacket with Internal cooling system is available as option.

-Electrical motor PXFLOW -SIEMENS standard IE1 or higher efficiency class (IE2 or IE3 as option) have Class H insulation (rated for 180 degrees Celsius) as standard

-Separate sealed terminal connection area

-Rotor shaft oversized made in stainless steel and oversized ball bearings ensuring smooth and vibration free running with extended life time as result.

-Shaft sealing system consist of double mechanical seals built into a replaceable cartridge facilitate quick changes even on-site without special tools.

Motor protections :

- Three thermal overload switches, one per phase, internally wound to combat high temperature loads.
- Built-in moisture sensors to terminal connection area (upper motor side), inside the motor (lower side) and in oil chamber

Materials

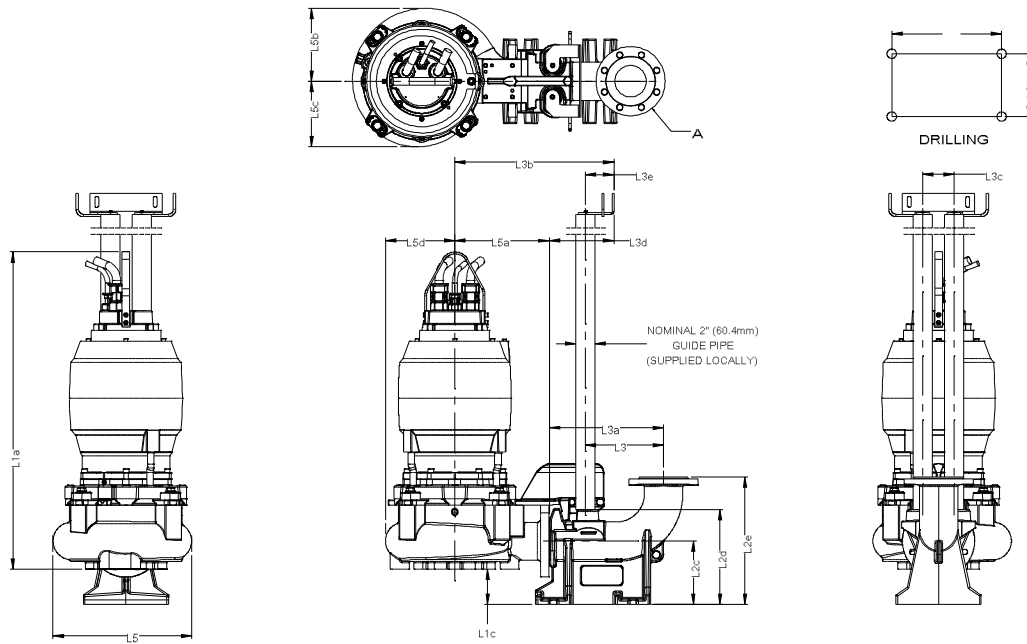
PX3-100.0-4 CHANNEL 3 (Single channel impeller)+28 kW

- Motor housing, volute :cast iron GG -25
- Impeller : ductile iron GGG40
- Shaft, cartridge sleeve :stainless steel 431
- Shaft seal:Media side sic/sic
Cooling side sic/sic
- Bearings:upper:single row deep groove ball bearing
lower: double angular contact ball bearing

wet pit installation accesories set (on request)

- Discharge connection bracket (DCB):cast iron GG -25 (standard) or stainless steel (option)
- adapter : ductile iron GGG40 (standard) or stainless steel (option)
- Upper guide bracket (UGB):galvanize steel (standard) or stainless steel (option)

PX3-100.0-4 CHANNEL 3 With motor M3.1D-28

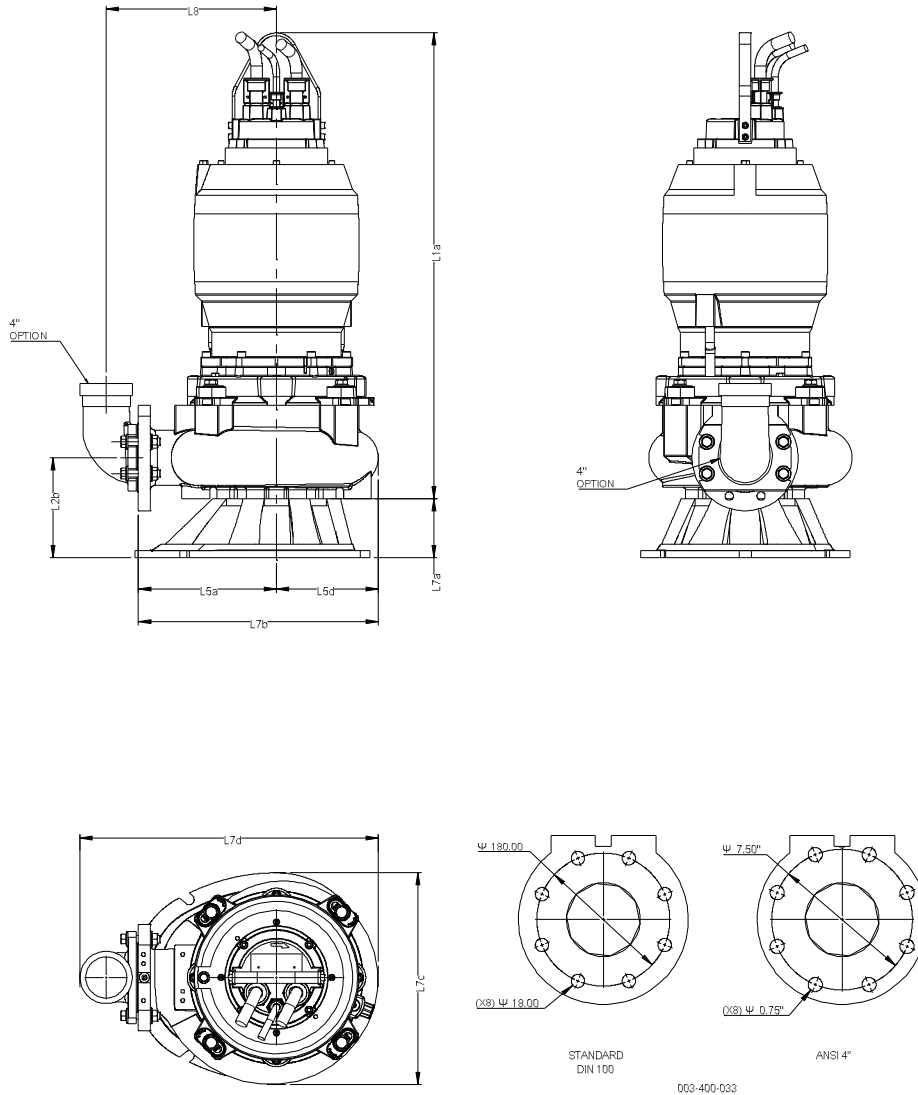


003-400-017

oo

Dimensions	mm	Dimensions	mm	
Name	Value	Name	Value	
L1a	1010	L5a	301	For Discharge connection bracket :
L1c	113	L5b	233	Outlet flange - Standard : DN100 / PN10- Option :4" ANSI class 125
L2c	202	L5c	209	For pump :
L2d	303	L5d	220	Outlet flange - Standard : DN100 / PN16 - Option :4" ANSI class 125
L2e	406	L6a	253	Suction flange - Standard : DN150 / PN16- Option :6" ANSI class 125
L3	249	L6b	140	- Option : DN100 / PN16- Option :4" ANSI class 125
L3a	364			Weight of Pump with cooling jacket = 303,6 kg
L3b	508			(without cooling jacket : - 33,5 kg)
L3c	100			Weight of Adapter = 10 kg
L3d	206			Weight of Discharge connection bracket (DCB) 100 = 47 kg
L3e	91			
L5	442			

PX3-100.0-4 CHANNEL 3 With motor M3.1D-28



Dimensions	mm	Dimensions	mm
Name	Value	Name	Value
L1a	1010		
L1b	216,5		
L5a	299,5		
L5d	221		
L7a	127		
L7b	520		
L7c	458		
L7d	646		
L8	369		

Outlet for hose - Option : " 100mm (4")

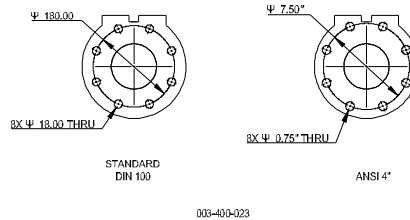
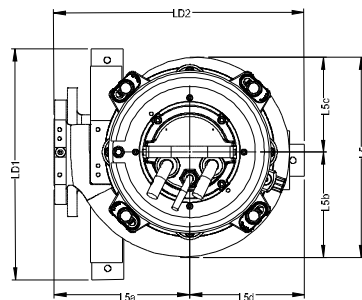
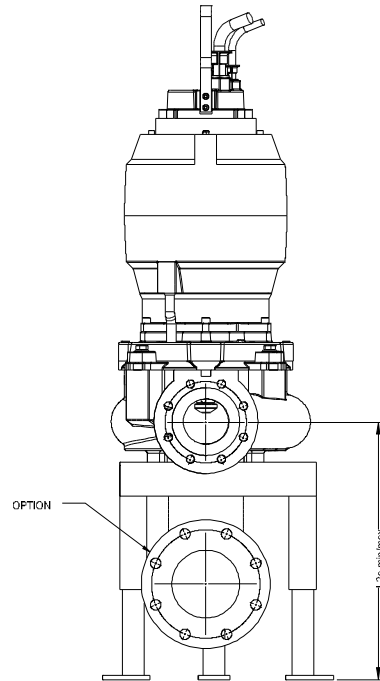
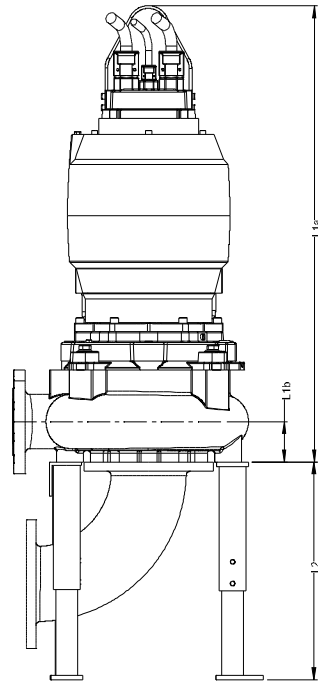
For pump :

Outlet flange - Standard : DN100 / PN16
- Option : 4" ANSI class 125

Suction flange - Standard : DN150 / PN16
- Option : 6" ANSI class 125
- Option : DN100 / PN16
- Option : 4" ANSI class 125

Weight of Pump with cooling jacket = 303,6 kg
(without cooling jacket : - 33,5 kg)
Weight of Base for Transportable = 16,5 kg

PX3-100.0-4 CHANNEL 3 With motor M3.1D-28



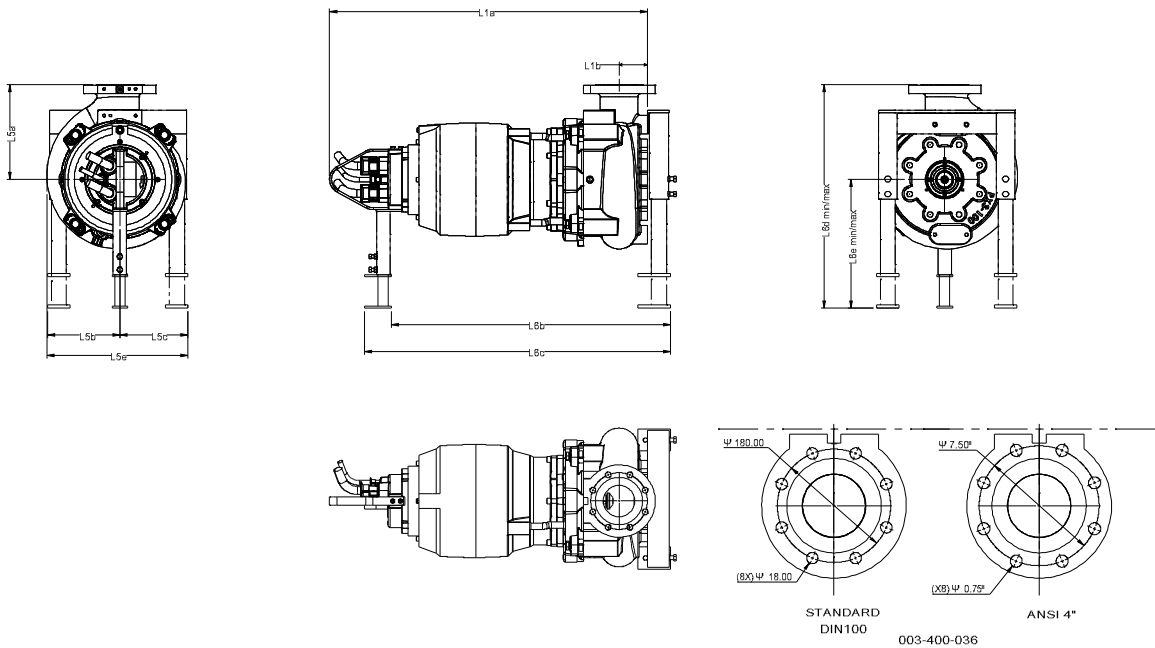
003-400-023

Dimensions	mm	Dimensions	mm
Name	Value	Name	Value
L1a	1010	LD2	554
L1b	90		
L2 max	481,5		
L2 min	415,5		
L2a max	570		
L2a min	505		
L5	442		
L5a	300		
L5b	233		
L5c	209		
L5d	220		
LD1	511		

- Outlet flange - Standard : DN100 / PN16
- Option : 4" ANSI class 125
- Suction flange - Standard : DN150 / PN16
- Option : 6" ANSI class 125
- Option : DN100 / PN16
- Option : 4" ANSI class 125

Weight of Pump with cooling jacket = 303,6 kg
Weight of Adjustable Legs = 15,2 kg

PX3-100.0-4 CHANNEL 3 With motor M3.1D-28



Dimensions		Dimensions			
Name	mm	Name	mm		
L1	1010			Outlet flange - Standard : DN100 / PN16 - Option : 4" ANSI class 125 Suction flange - Standard : DN150 / PN16 - Option : 6" ANSI class 125 - Option : DN100 / PN16 - Option : 4" ANSI class 125 Weight of Pump with cooling jacket = 303,6 kg Weight of Adjustable Legs = 15,2 kg	
L1b	90				
L5a	301				
L5b	229				
L5c	216				
L5e	448				
L6b	878,5				
L6c	963,5				
L6dmax	709				
L6dmin	609				
L6emax	407,5				
L6emin	307,5				