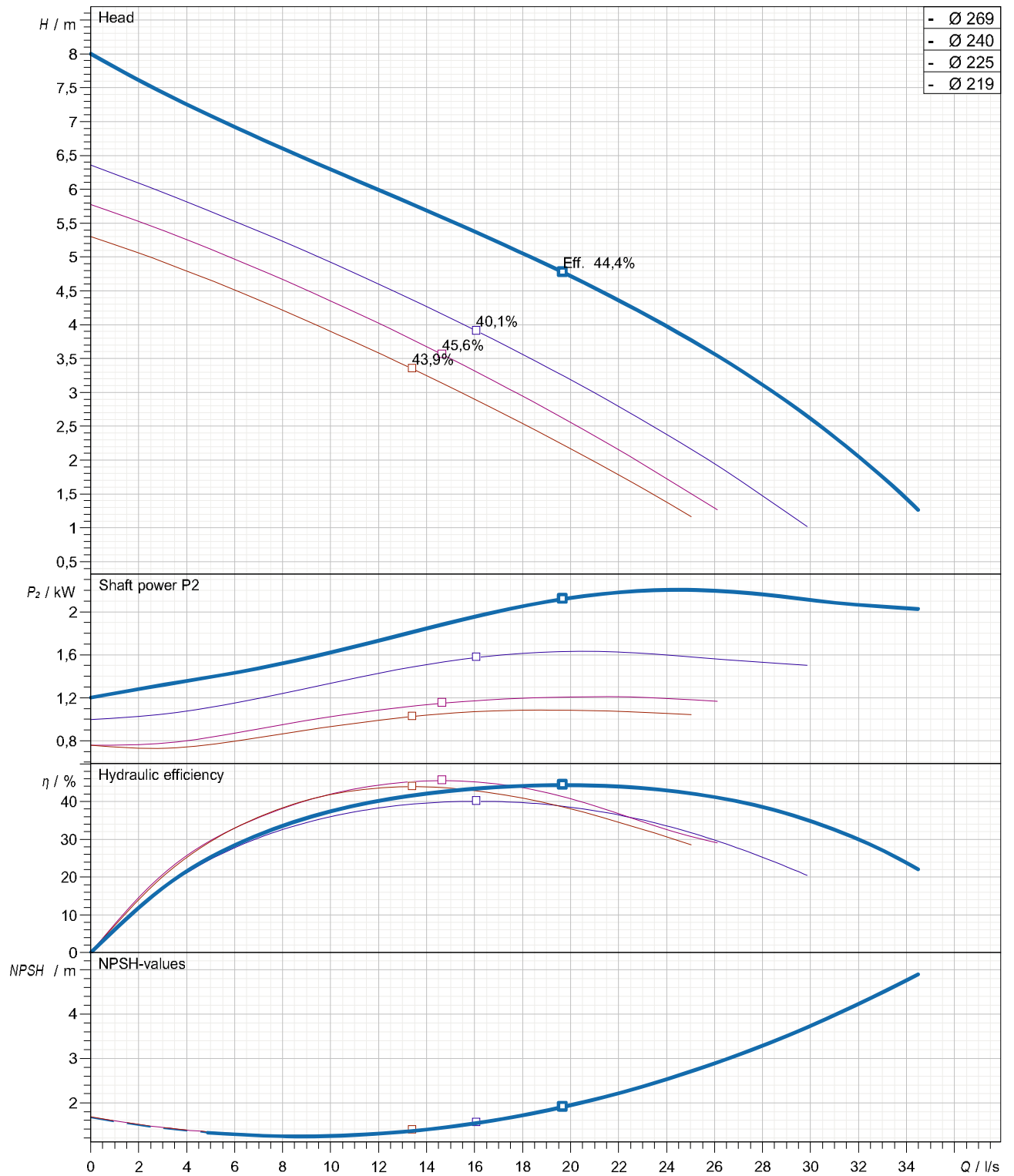


data referred to : Water; 20°C; 998,3kg/m³; 1,001mm²/s

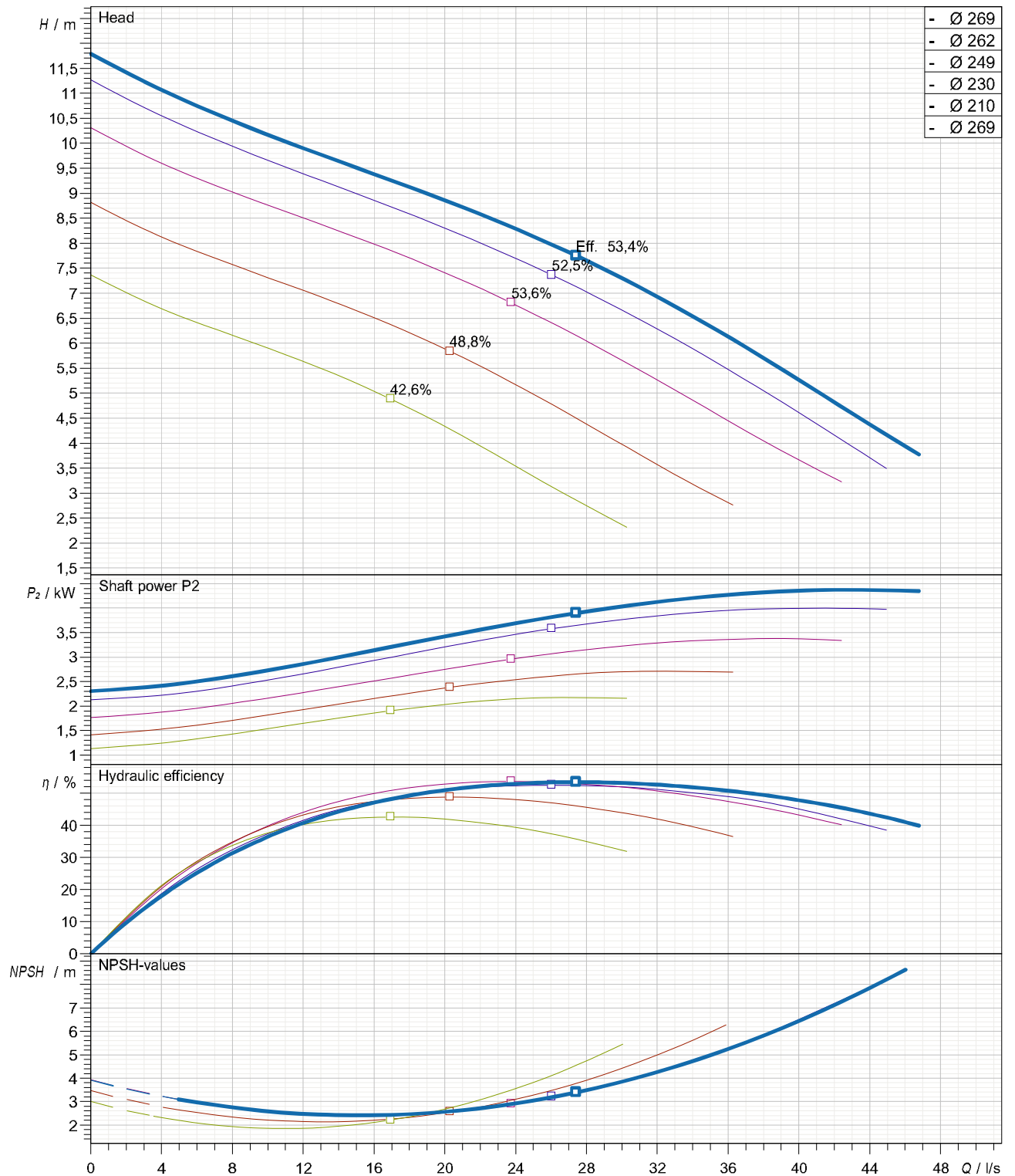
Tolerances acc. ISO 9906 Grade 2B



Curves are approximate, pump is guaranteed for one set of conditions (capacity, head, efficiency).

data referred to : Water; 20°C; 998,3kg/m³; 1,001mm²/s

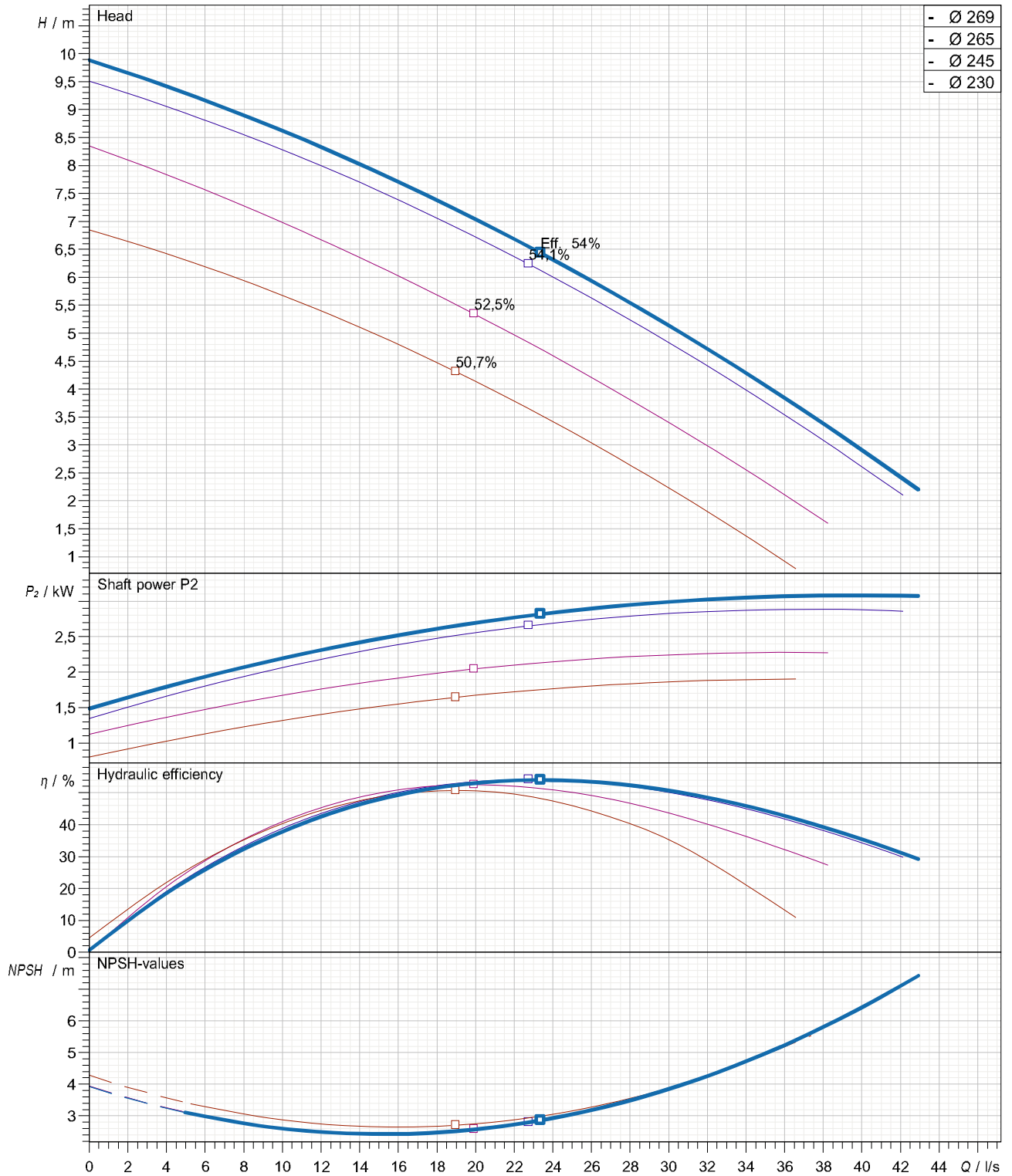
Tolerances acc. ISO 9906 Grade 2B



Curves are approximate, pump is guaranteed for one set of conditions (capacity, head, efficiency).

data referred to : Water; 20°C; 998,3kg/m³; 1,001mm²/s

Tolerances acc. ISO 9906 Grade 2B



Curves are approximate, pump is guaranteed for one set of conditions (capacity, head, efficiency).

Submersible, centrifugal, non-clogging sewage pump PX2-100.0-6 VORTEX 3 capable of handling raw, unscreened sewage.

The pumps manufactured within European Union with the latest manufacturing and environmental standards and practical standard features as :

- Vortex impeller made in ductile iron GGG40 are of non clogging design
- Channel and vortex impellers can be accommodated in the same volute. This advance together with possibility to be trimmed allow to meet changing duties.
- Wear rings with 'reducer' clearances system allow to be re-positioned axially in order to reduce the clearances between the channel impeller and volute.
- Fast lock connection system latch bolts made in stainless steel for easy removal of the motor together with impeller from the volute.

Submersible motor type M2.1C- 7,5 IE2 can be capable of operating continuously in submerged for wet installation. Cooling jacket with Internal cooling system is available as option.

-Electrical motor PXFLOW -SIEMENS high efficiency class IE2 (premium efficiency IE3 as option) have Class F insulation (rated for 155 degrees Celsius) as standard (Class H as option)

-Separate sealed terminal connection area

-Rotor shaft oversized made in stainless steel and oversized ball bearings ensuring smooth and vibration free running with extended life time as result.

-Shaft sealing system consist of double mechanical seals built into a replaceable cartridge facilitate quick changes even on-site without special tools.

Motor protections :

- Three thermal overload switches, one per phase, internally wound to combat high temperature loads.
- Built-in moisture sensors to terminal connection area (upper motor side), inside the motor (lower side) and in oil chamber

Materials

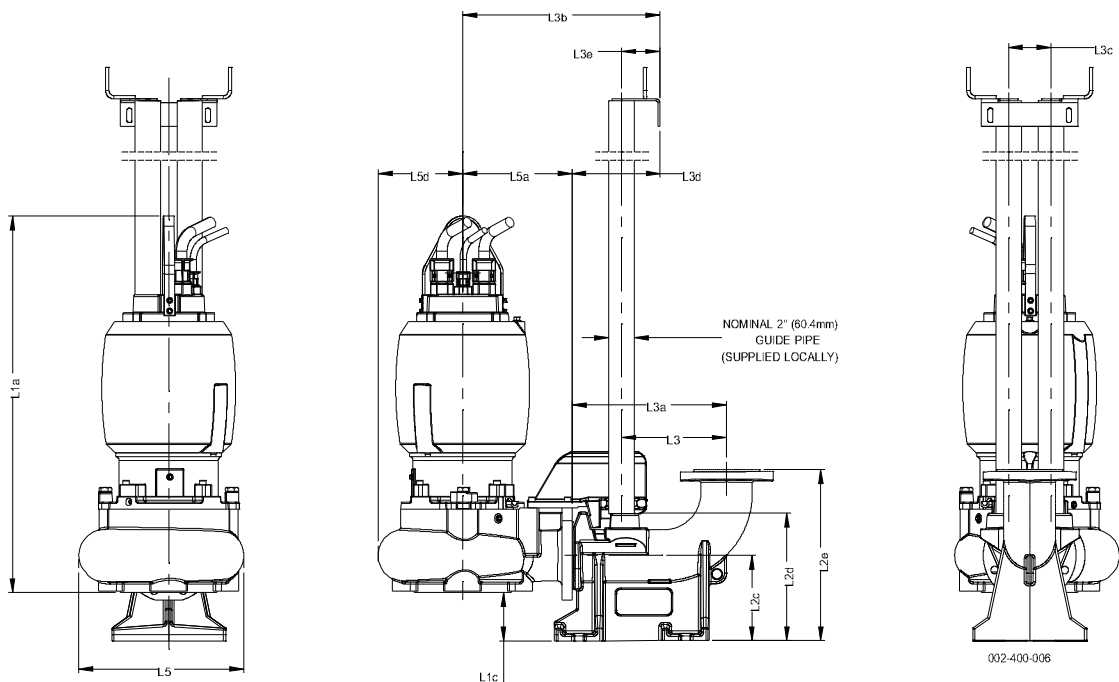
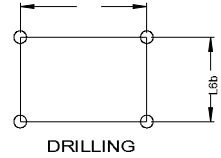
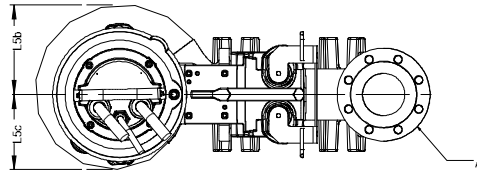
PX2-100.0-6 VORTEX 3 (Vortex impeller) +7,5 kW

- Motor housing, volute : cast iron GG -25
- Impeller : ductile iron GGG40
- Shaft, cartridge sleeve : stainless steel 431
- Shaft seal: Media side sic/sic
Cooling side carbon/ceramic
- Bearings: upper: single row deep groove ball bearing
lower: double angular contact ball bearing

wet pit installation accessories set (on request)

- Discharge connection bracket (DCB): cast iron GG -25 (standard) or stainless steel (option)
- adapter : ductile iron GGG40 (standard) or stainless steel (option)
- Upper guide bracket (UGB): galvanize steel (standard) or stainless steel (option)

PX2-100.0-6 VORTEX 3 With motor M2.1C-7,5 IE2



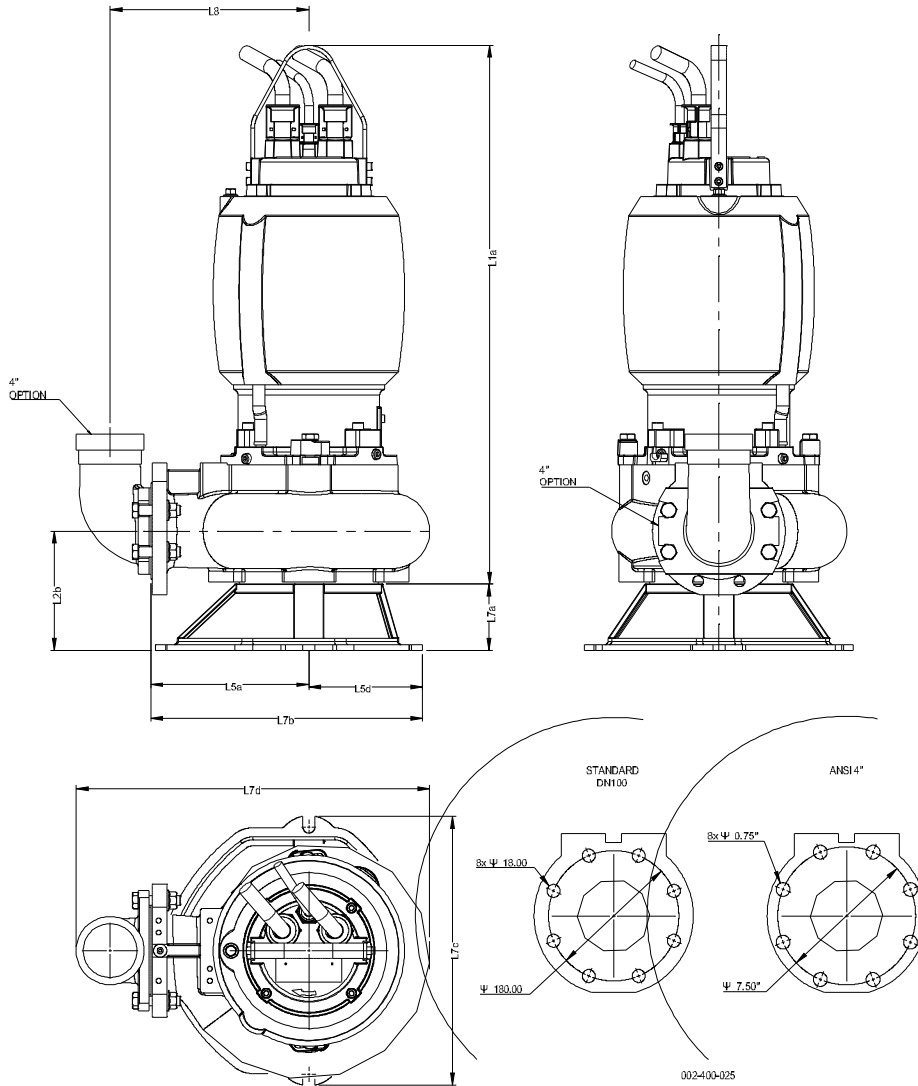
Dimensions	mm	Dimensions	mm
Name	Value	Name	Value
L1a	893	L5a	260
L1c	114	L5b	213
L2c	206	L5c	178
L2d	302	L5d	200
L2e	405,5	L6a	253
L3	250	L6b	140
L3a (DN100)	364		
L3b	376		
L3c	100		
L3d	205		
L3e	91		
L5	391		

For Discharge connection bracket :
 Outlet flange - Standard : DN100 / PN10 - Option : 4" ANSI class 125

For pump :
 Outlet flange - Standard : DN100 / PN16- Option : 4" ANSI class 125
 Suction flange - Standard : DN100 / PN16- Option : 4" ANSI class 125

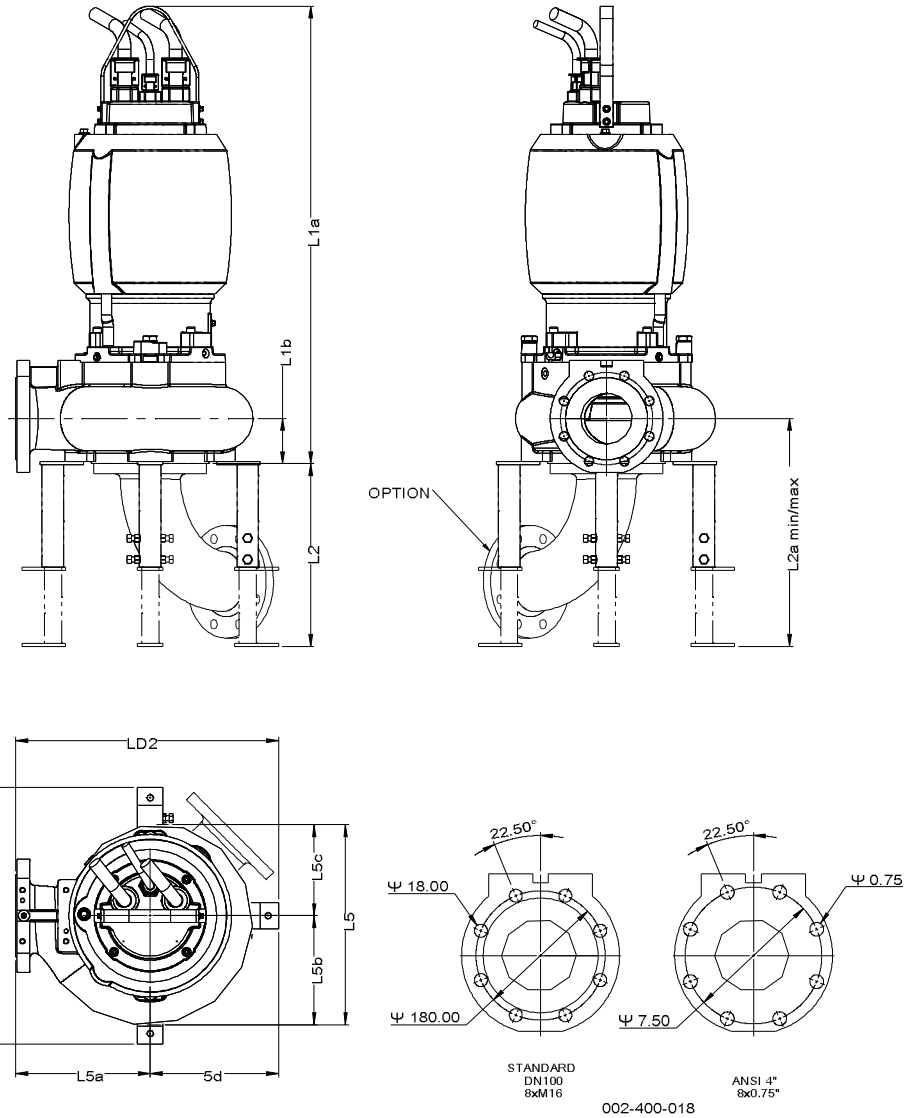
Weight of Pump with cooling jacket = 161 kg
 (without cooling jacket : - 27 kg)
 Weight of Adapter = 10 kg
 Weight of Discharge connection bracket (DCB) 100 = 47 kg

PX2-100.0-6 VORTEX 3 With motor M2.1C-7,5 IE2



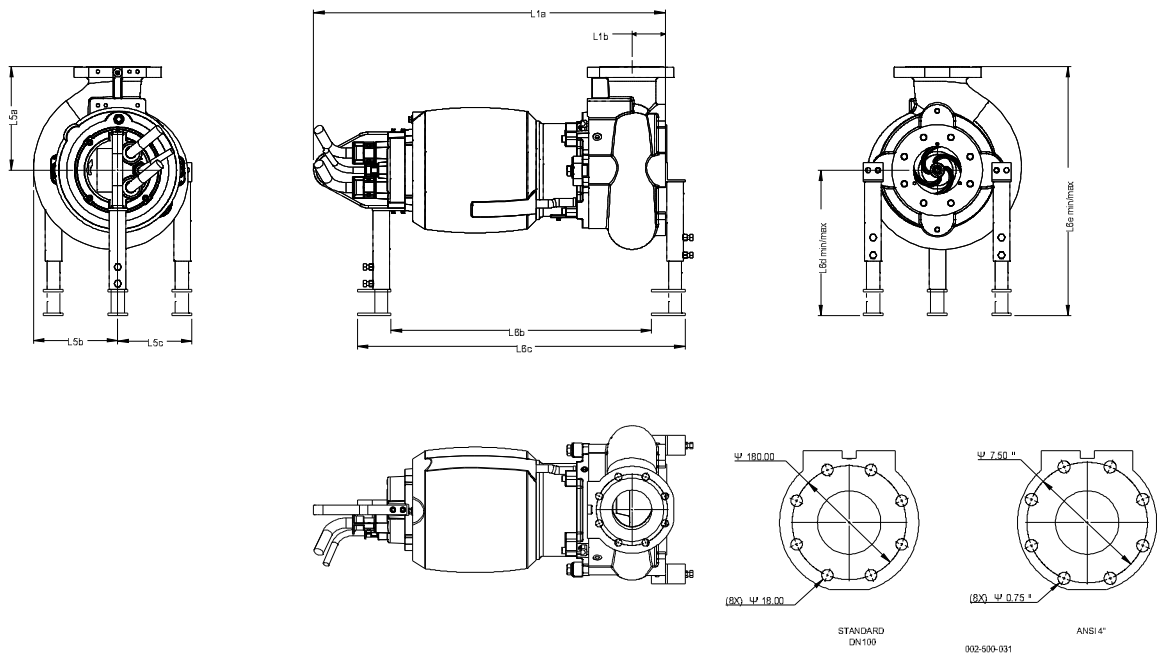
Dimensions		Dimensions		
Name	mm	Name	mm	
L1a	893			Outlet for hose - Option : " 100mm (4")
L2b	198			For pump :
L5a	262			Outlet flange - Standard : DN100 / PN16
L5d	189			- Option : 4" ANSI class 125
L7a	110			Suction flange - Standard : DN100 / PN16
L7b	444			- Option : 4" ANSI class 125
L7c	446			
L7d	587			
L8	330			Weight of Pump with cooling jacket = 161 kg (without cooling jacket : - 27 kg)
				Weight of Base for Transportable = 8,7 kg

PX2-100.0-6 VORTEX 3 With motor M2.1C-7,5 IE2



Dimensions mm		Dimensions mm		
L1a	893	LD1	500	Outlet flange - Standard : DN100 / PN16 - Option : 4" ANSI class 125
L1b	88	LD2	517	
L2a max	444			Suction flange - Standard : DN100 / PN16 - Option : 4" ANSI class 125
L2a min	296			
L2max	356			Weight of Pump with cooling jacket = 161 kg Weight of Adjustable Legs = 6,1 kg
L2min	208			
L5	391			
L5a	262			
L5b	213			
L5c	178			
L5d	250			

PX2-100.0-6 VORTEX 3 With motor M2.1C-7,5 IE2



Dimensions	mm	Dimensions	mm
Name	Value	Name	Value
L1a	893	L6f	375
L1b	84		
L5b	213		
L5c	188		
L5e	401		
L6a	262		
L6b	659		
L6c	829		
L6dmax	368		
L6dmin	308		
L6emax	630		
L6emin	570		

Outlet flange - Standard : DN100 / PN16
 - Option : 4" ANSI class 125

Suction flange - Standard : DN100 / PN16
 - Option : 4" ANSI class 125

Weight of Pump with cooling jacket = 161 kg
 Weight of Adjustable Legs = 6,1 kg