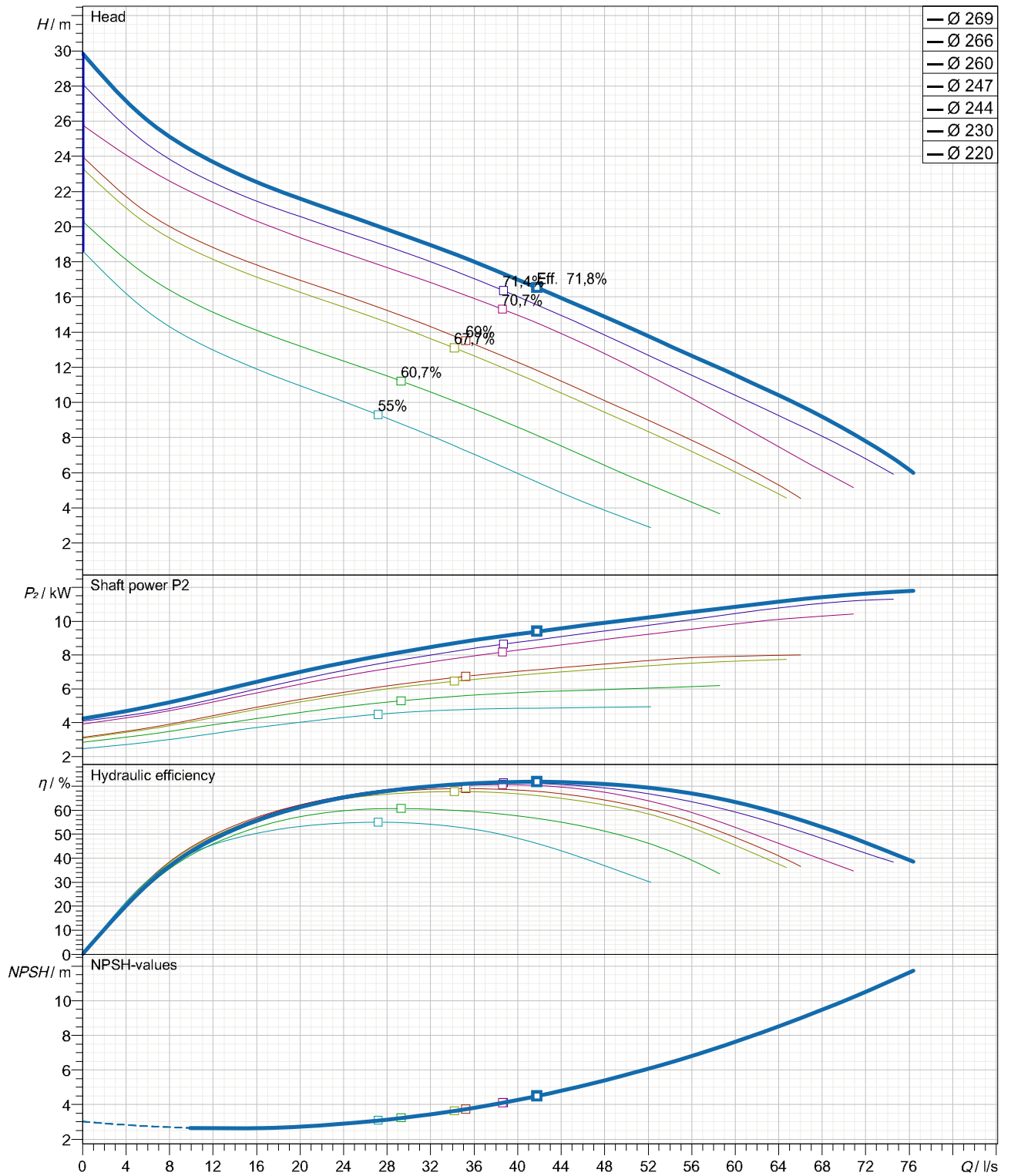


data referred to : Water; 20°C; 998,3kg/m³; 1,001mm²/s

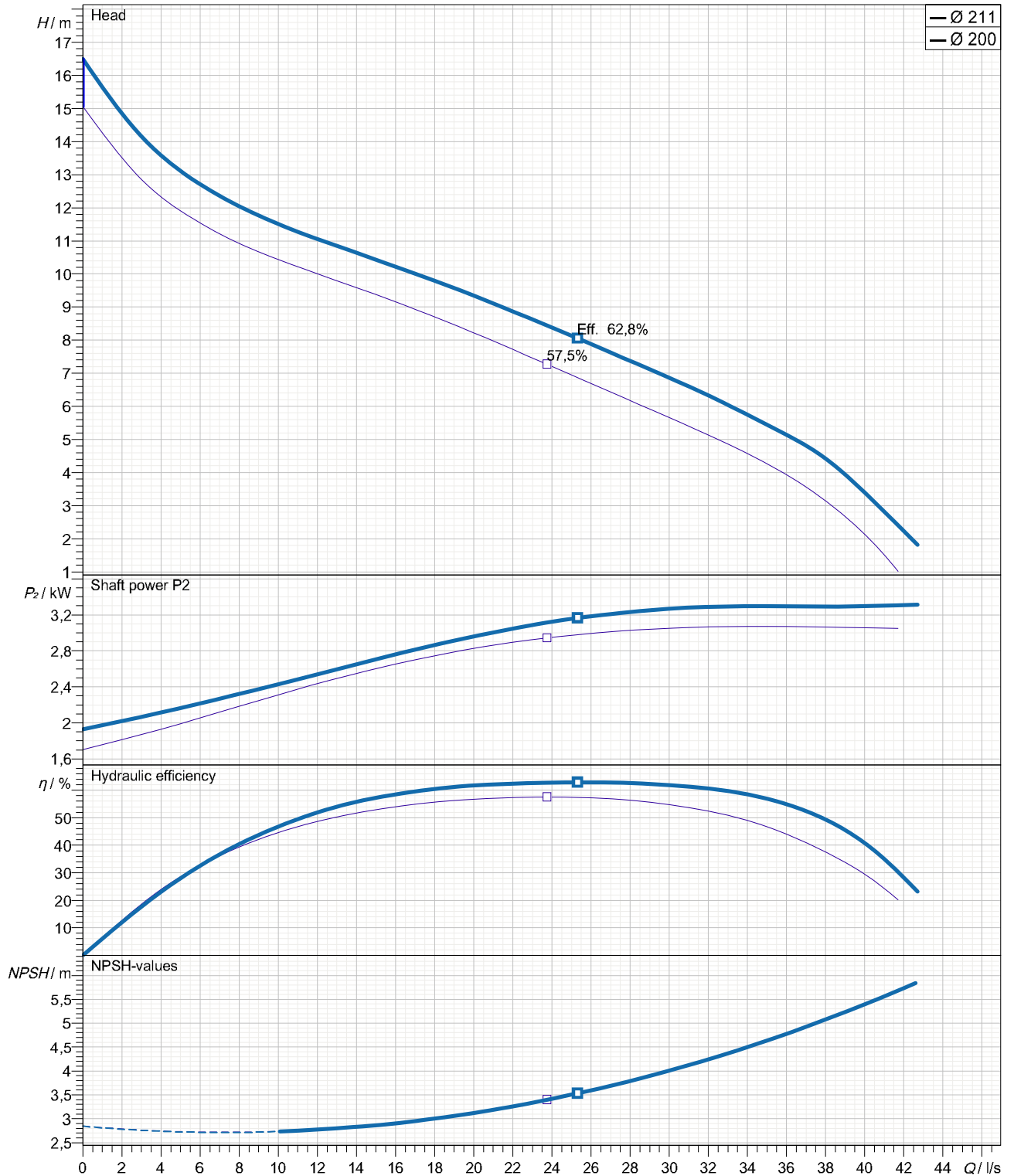
Tolerances acc. ISO 9906 Grade 2B



Curves are approximate, pump is guaranteed for one set of conditions (capacity, head, efficiency).

data referred to : Water; 20°C; 998,3kg/m³; 1,001mm²/s

Tolerances acc. ISO 9906 Grade 2B



Curves are approximate, pump is guaranteed for one set of conditions (capacity, head, efficiency).

Submersible, centrifugal, non-clogging sewage pump PX2-100.0-4 CHANNEL 1 capable of handling raw,unscreened sewage.

The pumps manufactured within European Union with the latest manufacturing and environmental standards and practical standard features as :

- Single channel impeller made in ductile iron GGG40 are of non clogging design
- Channel and vortex impellers can be accommodated in the same volute. This advance together with possibility to be trimmed allow to meet changing duties.
- Wear rings with 'reducer' clearances system allow to be re-positioned axially in order to reduce the clearances between the channel impeller and volute.
- Fast lock connection system latch bolts made in stainless steel for easy removal of the motor together with impeller from the volute.

Submersible motor type M2.1C-15,0 can be capable of operating continuously in submerged for wet installation. Cooling jacket with Internal cooling system is available as option.

-Electrical motor PXFLOW -SIEMENS standard IE1 or higher efficiency class (IE2 or IE3 as option) have Class F insulation (rated for 155 degrees Celsius) as standard (Class H as option)

-Separate sealed terminal connection area

-Rotor shaft oversized made in stainless steel and oversized ball bearings ensuring smooth and vibration free running with extended life time as result.

-Shaft sealing system consist of double mechanical seals built into a replaceable cartridge facilitate quick changes even on-site without special tools.

Motor protections :

- Three thermal overload switches, one per phase, internally wound to combat high temperature loads.
- Built-in moisture sensors to terminal connection area (upper motor side), inside the motor (lower side) and in oil chamber

Materials

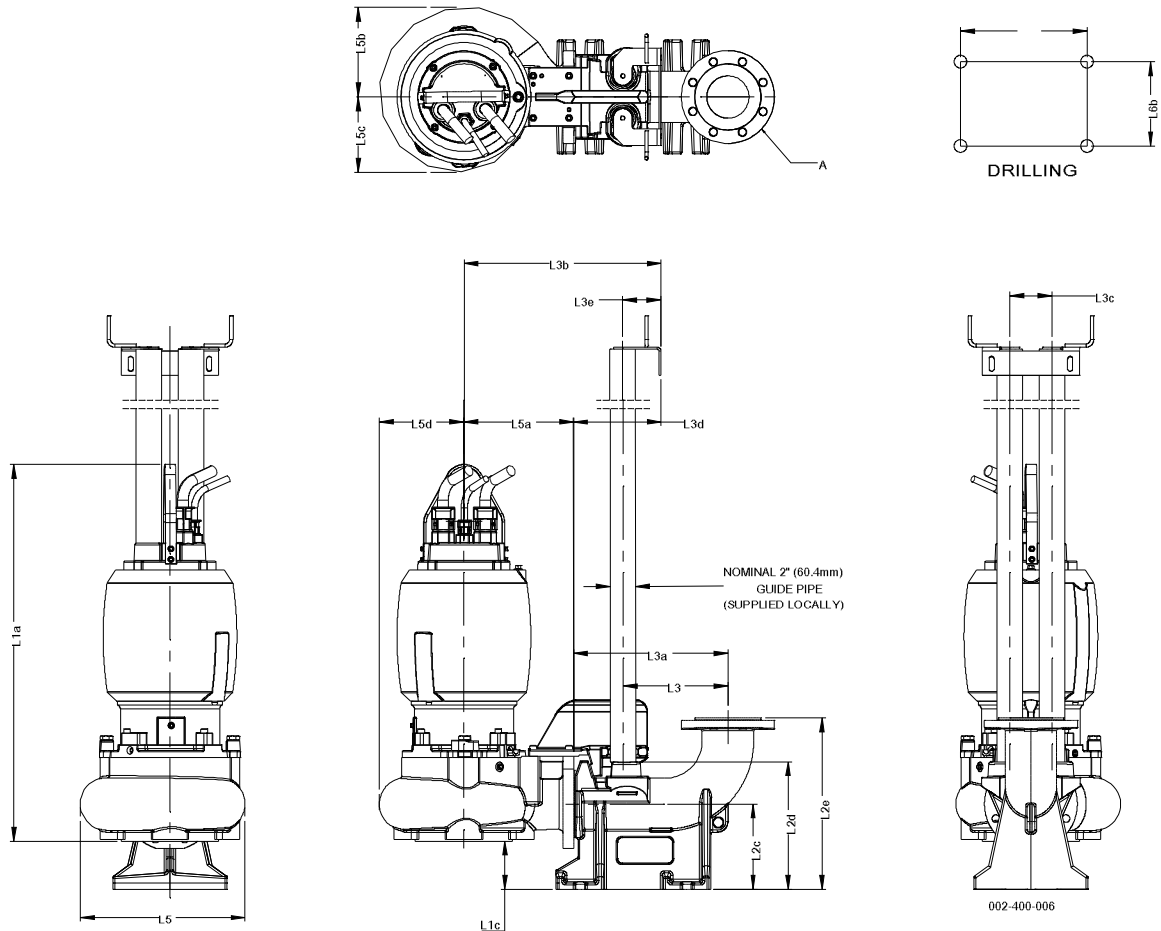
PX2-100.0-4 CHANNEL 1 (Single channel impeller)+15 kW

- Motor housing, volute :cast iron GG -25
- Impeller : ductile iron GGG40
- Shaft, cartridge sleeve :stainless steel 431
- Shaft seal:Media side sic/sic
Cooling side carbon/ceramic
- Bearings:upper:single row deep groove ball bearing
lower: double angular contact ball bearing

wet pit installation accesories set (on request)

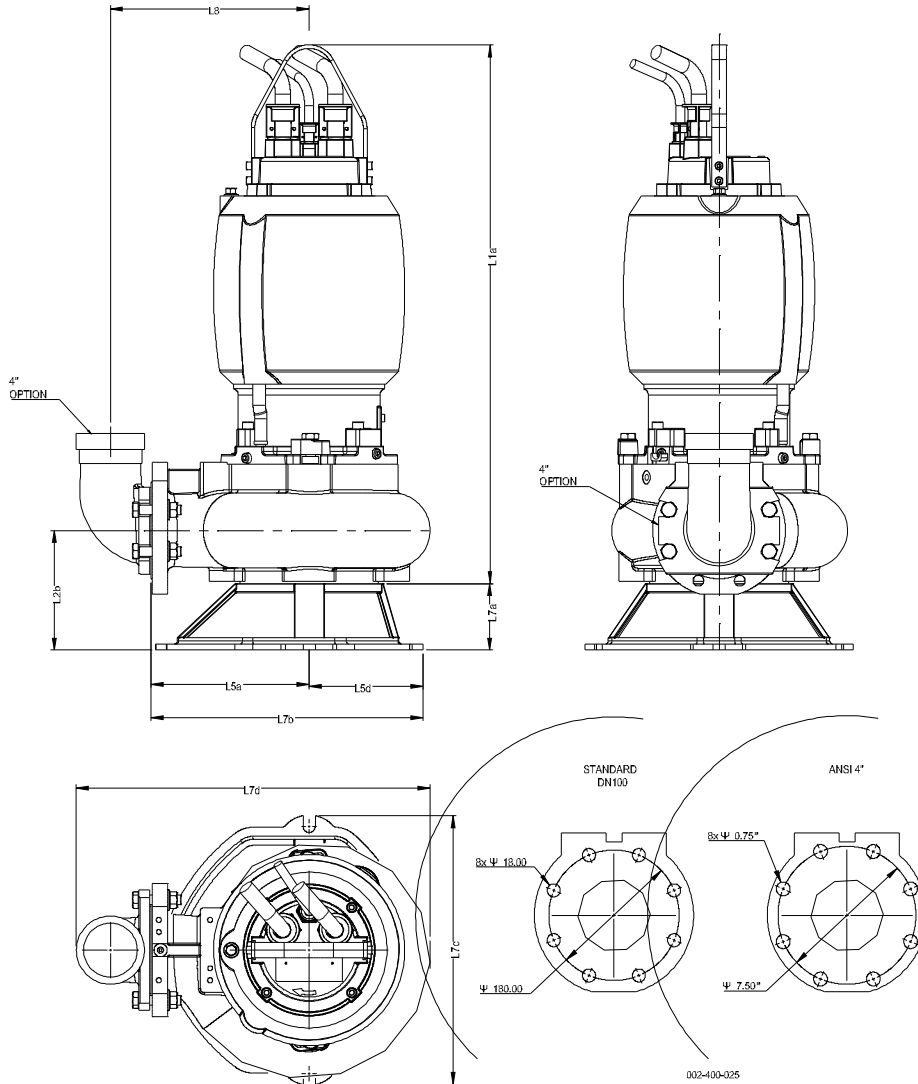
- Discharge connection bracket (DCB):cast iron GG -25 (standard) or stainless steel (option)
- adapter : ductile iron GGG40 (standard) or stainless steel (option)
- Upper guide bracket (UGB):galvanize steel (standard) or stainless steel (option)

PX2-100.0-4 CHANNEL 1 With motor M2.1C-15



Dimensions		Dimensions		
Name	mm	Name	mm	
L1a	893	L5a	260	For Discharge connection bracket : Outlet flange - Standard : DN100 / PN10 - Option : 4" ANSI class 125 For pump : Outlet flange - Standard : DN100 / PN16- Option : 4" ANSI class 125 Suction flange - Standard : DN100 / PN16- Option : 4" ANSI class 125 Weight of Pump with cooling jacket = 192 kg (without cooling jacket : -27 kg) Weight of Adapter = 10 kg Weight of Discharge connection bracket (DCB) 100 = 47 kg
L1c	114	L5b	213	
L2c	206	L5c	178	
L2d	302	L5d	200	
L2e	405,5	L6a	253	
L3	250	L6b	140	
L3a (DN100)	364			
L3b	376			
L3c	100			
L3d	205			
L3e	91			
L5	391			

PX2-100.0-4 CHANNEL 1 With motor M2.1C-15



Dimensions		Dimensions	
Name	mm	Name	mm
L1a	893		
L2b	198		
L5a	262		
L5d	189		
L7a	110		
L7b	444		
L7c	446		
L7d	587		
L8	330		

Outlet for hose - Option : " 100mm (4")

For pump :

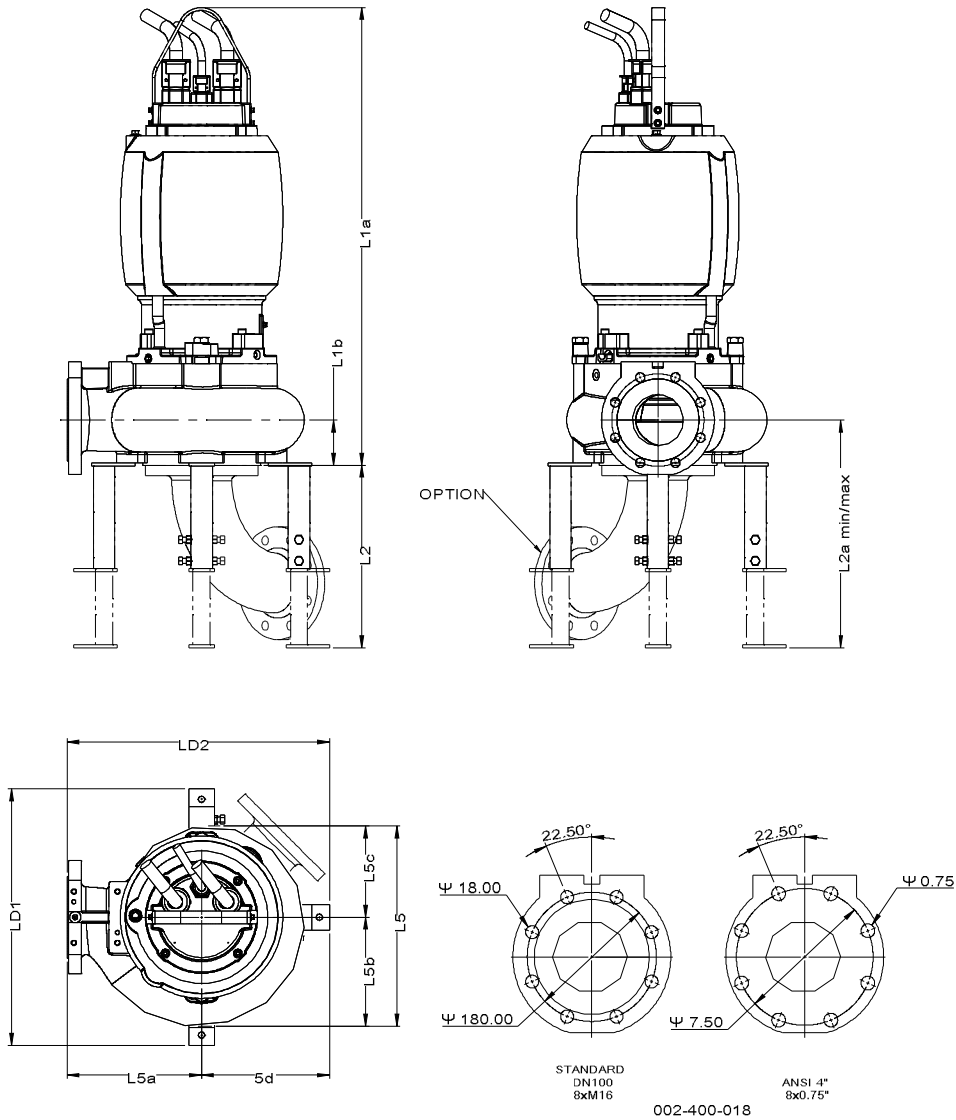
Outlet flange - Standard : DN100 / PN16
- Option : 4" ANSI class 125

Suction flange - Standard : DN100 / PN16
- Option : 4" ANSI class 125

Weight of Pump with cooling jacket = 192 kg
(without cooling jacket : - 27 kg)

Weight of Base for Transportable = 8,7 kg

PX2-100.0-4 CHANNEL 1 With motor M2.1C-15



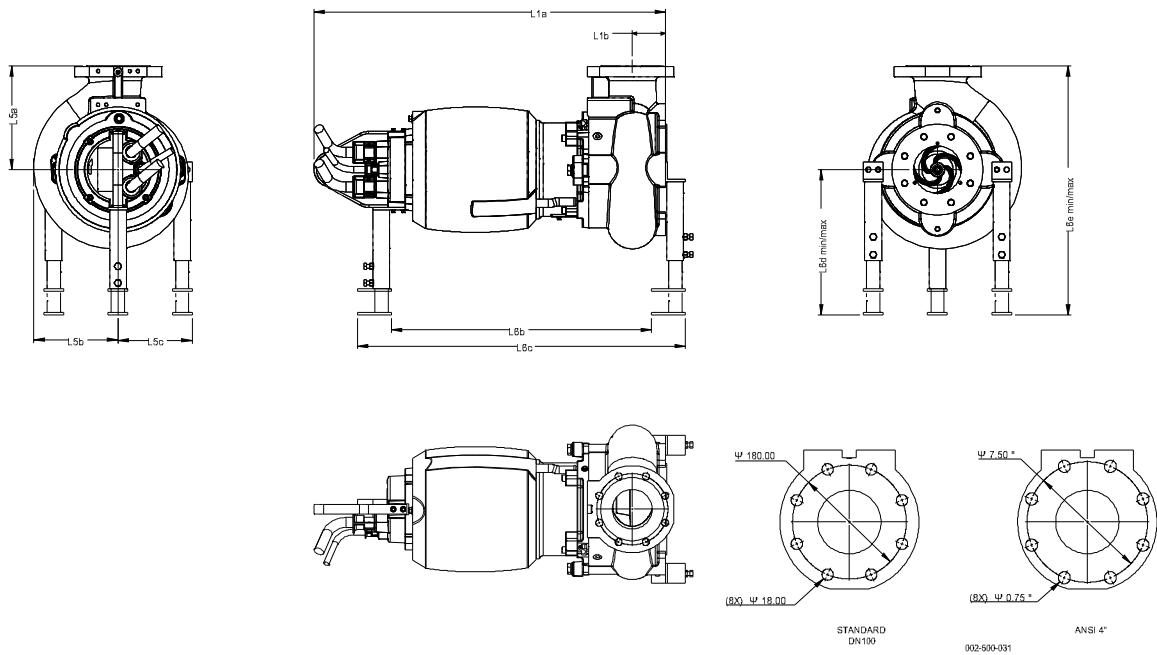
Dimensions	mm	Dimensions	mm
Name	Value	Name	Value
L1a	893	LD2	517
L1b	88		
L2a max	444		
L2a min	296		
L2max	356		
L2min	208		
L5	391		
L5a	262		
L5b	213		
L5c	178		
L5d	250		
LD1	500		

Outlet flange - Standard : DN100 / PN16
- Option : 4" ANSI class 125

Suction flange - Standard : DN100 / PN16
- Option : 4" ANSI class 125

Weight of Pump with cooling jacket = 192 kg
Weight of Adjustable Legs = 6,1 kg

PX2-100.0-4 CHANNEL 1 With motor M2.1C-15



Dimensions	mm	Dimensions	mm
Name	Value	Name	Value
L1a	893	L6f	375
L1b	84		
L5b	213		
L5c	188		
L5e	401		
L6a	262		
L6b	659		
L6c	829		
L6dmax	368		
L6dmin	308		
L6emax	630		
L6emin	570		

Outlet flange - Standard : DN100 / PN16
- Option : 4" ANSI class 125

Suction flange - Standard : DN100 / PN16
- Option : 4" ANSI class 125

Weight of Pump with cooling jacket = 192 kg
Weight of Adjustable Legs = 6,1 kg