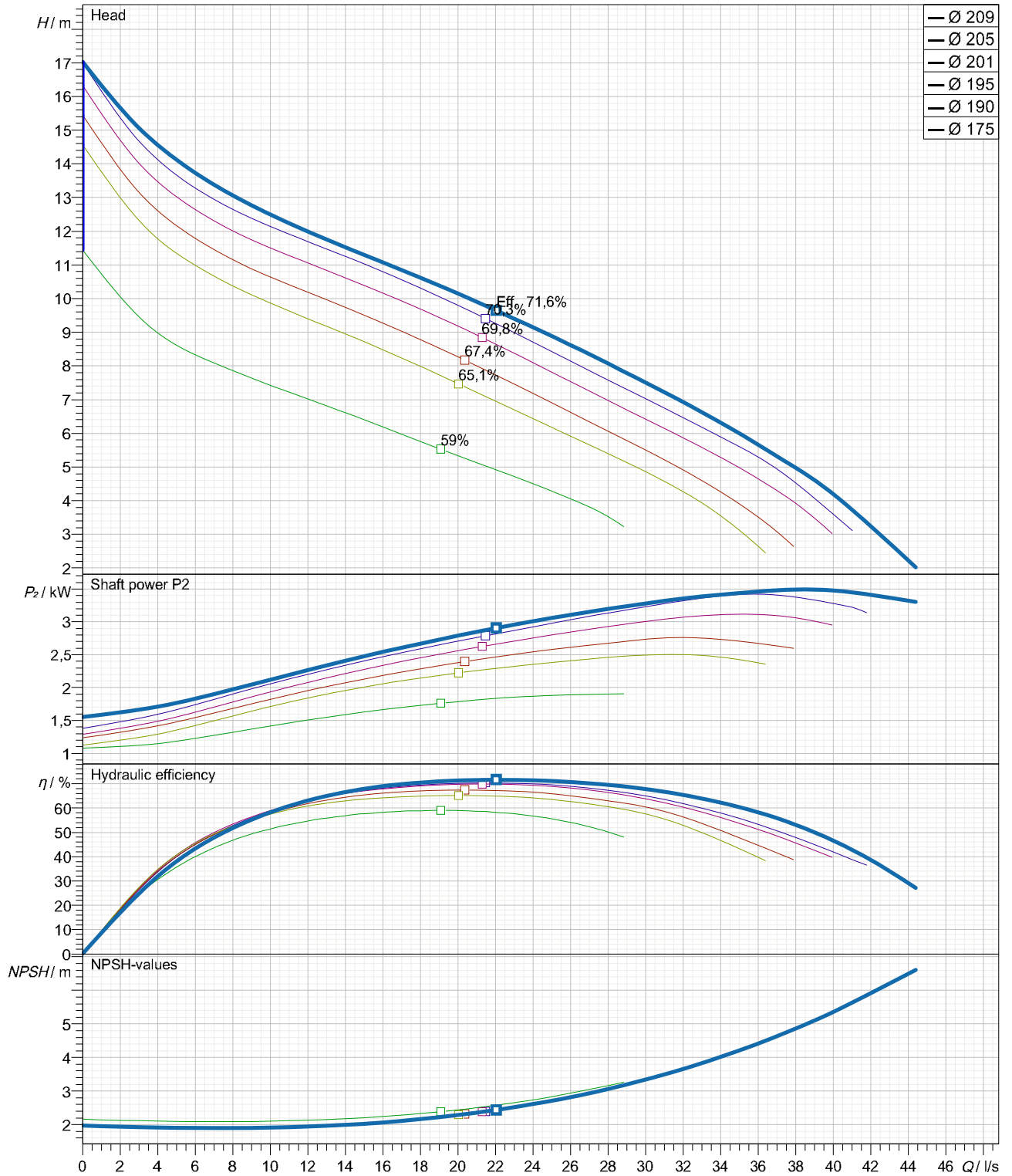


data referred to : Water; 20°C; 998,3kg/m<sup>3</sup>; 1,005mm<sup>2</sup>/s

Tolerances acc. ISO 9906 Grade 2B



Curves are approximate, pump is guaranteed for one set of conditions (capacity, head, efficiency).

Submersible, centrifugal, non-clogging sewage pump PX1-80.0-4 CHANNEL 1 capable of handling raw,unscreened sewage.

The pumps manufactured within European Union with the latest manufacturing and environmental standards and practical standard features as :

- Single channel impeller made in ductile iron GGG40 are of non clogging design
- Channel and vortex impellers can be accommodated in the same volute. This advance together with possibility to be trimmed allow to meet changing duties.
- Wear rings with 'reducer' clearances system allow to be re-positioned axially in order to reduce the clearances between the channel impeller and volute.
- Fast lock connection system latch bolts made in stainless steel for easy removal of the motor together with impeller from the volute.

Submersible motor type M1.1A- 3,5 IE2 can be capable of operating continuously in submerged for wet installation. Cooling jacket with Internal cooling system is available as option.

-Electrical motor PXFLOW -SIEMENS high efficiency class IE2 have Class F insulation (rated for 155 degrees Celsius)as standard (Class H as option)

-Separate sealed terminal connection area

-Rotor shaft oversized made in stainless steel and oversized ball bearings ensuring smooth and vibration free running with extended life time as result.

-Shaft sealing system consist of double mechanical seals built into a replaceable cartridge facilitate quick changes even on-site without special tools.

Motor protections :

- Three thermal overload switches, one per phase, internally wound to combat high temperature loads.
- Built-in moisture sensors to terminal connection area (upper motor side), inside the motor (lower side) and in oil chamber

Materials

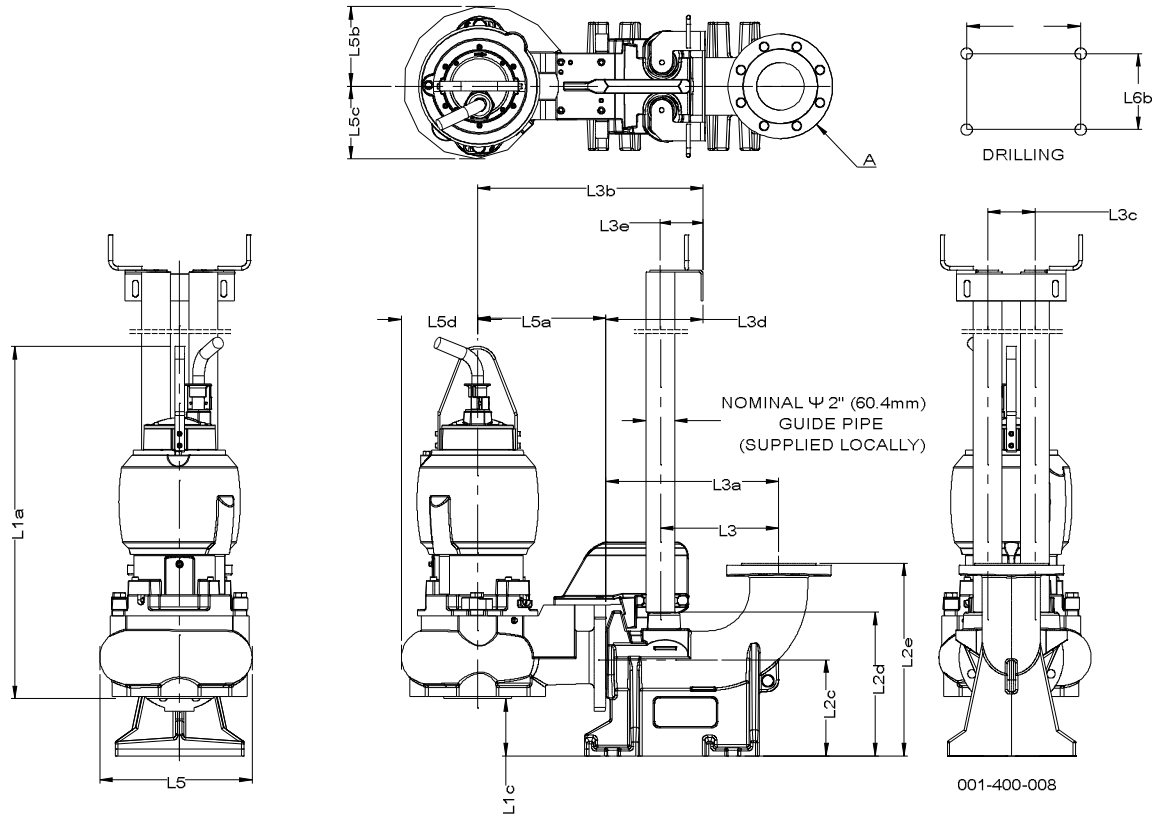
PX1-80.0-4 CHANNEL 1 ( Single channel impeller )+3,5 kW

- Motor housing, volute :cast iron GG -25
- Impeller : ductile iron GGG40
- Shaft, cartridge sleeve :stainless steel 431
- Shaft seal:Media side sic/sic  
Cooling side carbon/ceramic
- Bearings:upper:single row deep groove ball bearing  
lower: double angular contact ball bearing

wet pit installation accesories set (on request)

- Discharge connection bracket (DCB):cast iron GG -25 (standard) or stainless steel (option)
- adapter : ductile iron GGG40 (standard) or stainless steel (option)
- Upper guide bracket (UGB):galvanize steel (standard) or stainless steel (option)

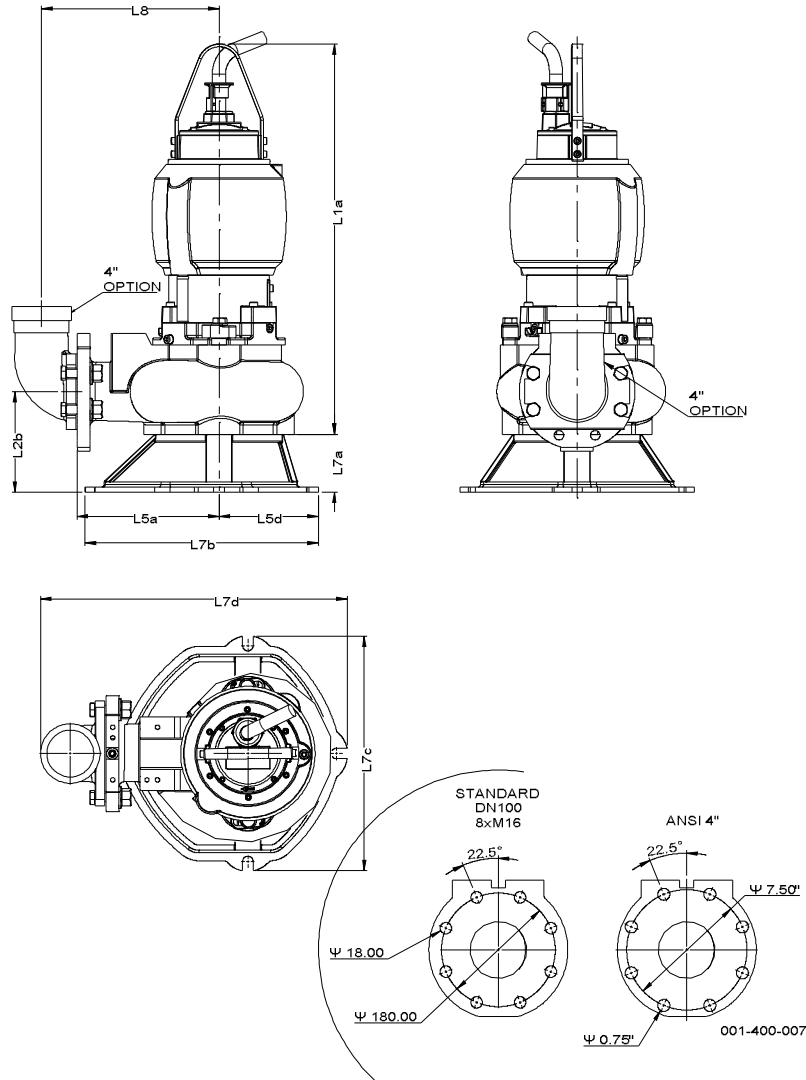
**PX1-80.0-4 CHANNEL 1 With motor M1.1A-3,5 IE2**



001-400-008

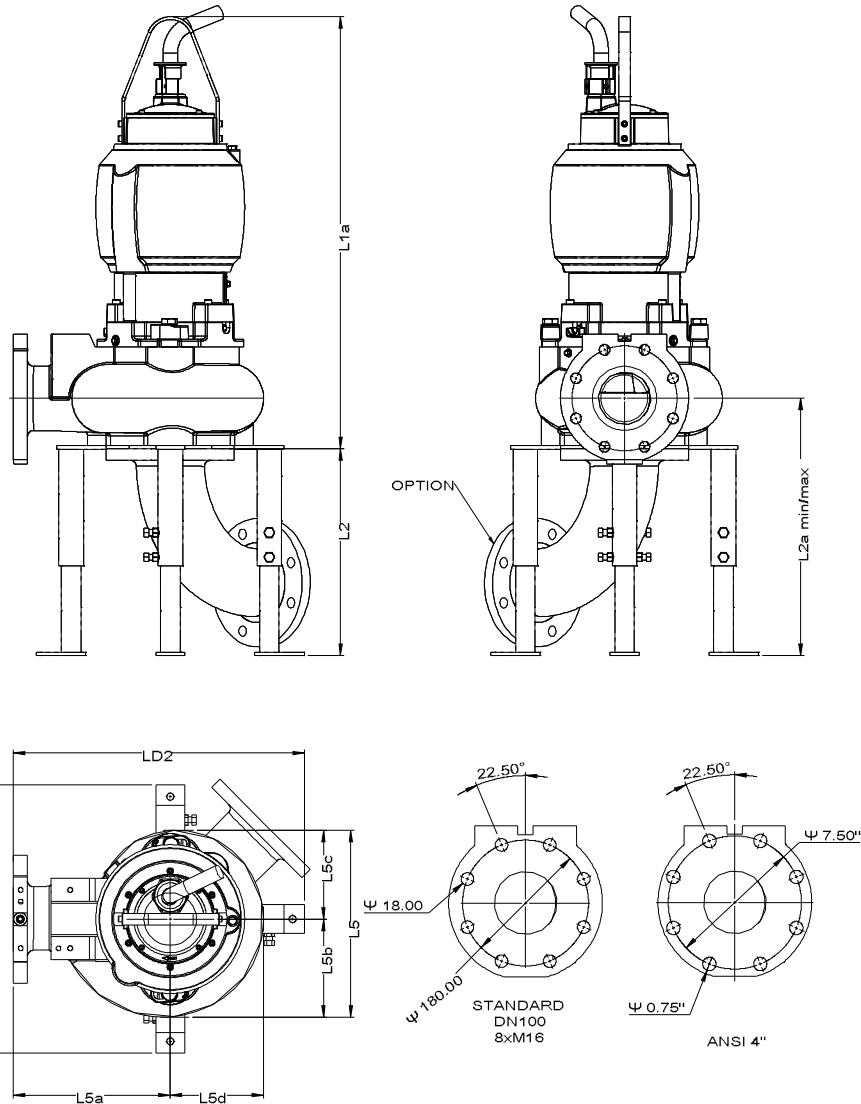
Dimensions		Dimensions			
Name	mm	Name	mm		
L1a	736,5	L5	320	For Discharge connection bracket :	
L1c	121	L5a	270	Outlet flange - Standard : DN100 / PN10 - Option: 4" ANSI class 125	
L2c	202	L5b	168,1	- Option : DN80 / PN10 Flange ,3" ANSI class 125	
L2d	303	L5c	152,6	For pump :	
L2e	405,5	L5d	160	Outlet flange - Standard :DN100 / PN10- Option : 4" ANSI class 125	
L3	247	L6a	253	- Option : DN80 / PN10 ,3" ANSI class 125	
L3a (DN100)	364	L6b	140	Suction flange - Standard : DN100 / PN10 - Option : DN80 / PN10	
L3a (DN80)	362			- Option : 4" ANSI class 125 ,3" ANSI class 125	
L3b	475			Weight of Pump with cooling jacket = 127,7 kg	
L3c	100			( without cooling jacket : - 14,2 kg )	
L3d	206			Weight of Adapter = 10 kg	
L3e	91			Weight of Discharge connection bracket (DCB) 100 = 47 kg	
				Weight of Discharge connection bracket (DCB) 80 = 45 kg	

**PX1-80.0-4 CHANNEL 1 With motor M1.1A-3,5 IE2**



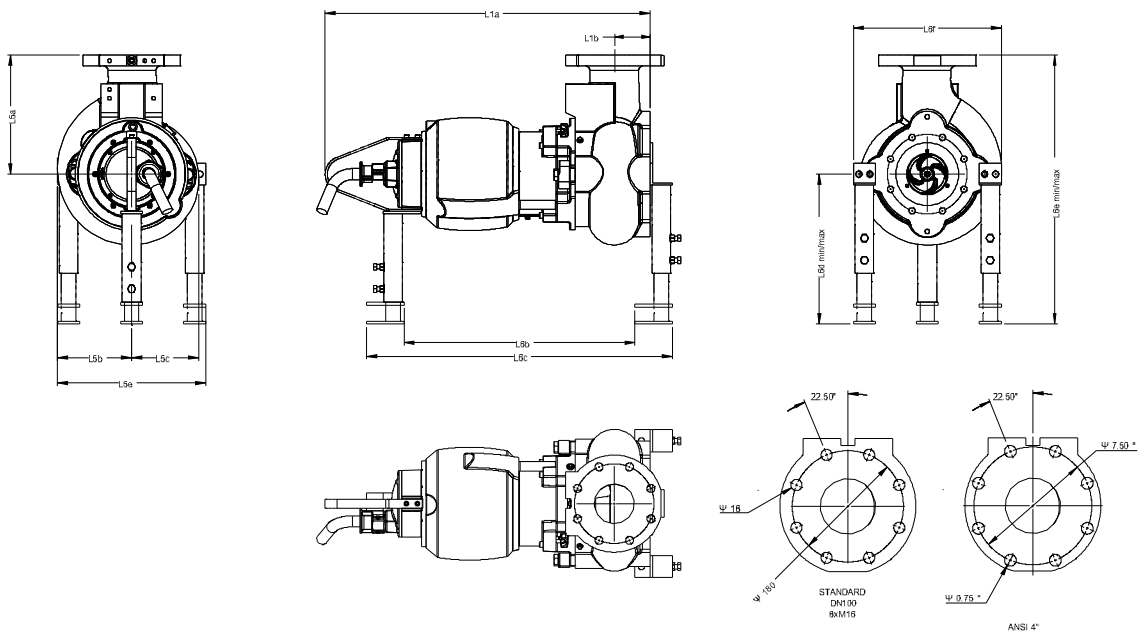
Dimensions		Dimensions		
Name	mm	Name	mm	
L1a	736,5			Outlet for hose - Option : " 100mm (4") Option : " 80mm (3")  For pump : Outlet flange - Standard : DN100 / PN10 - Option : 4" ANSI class 125 - Option : DN80 / PN10 , 3" ANSI class 125  Suction flange - Standard : DN100 / PN10 - Option : 4" ANSI class 125 - Option : DN80 / PN10 , 4" ANSI class 125  Weight of Pump with cooling jacket = 126,4 kg ( without cooling jacket : - 14,2 kg ) Weight of Base for Transportable = 8,7 kg
L2b	191,5			
L5a	270			
L5d	160			
L7a	110			
L7b	443			
L7c	446			
L7d	583			
L8	337,5			

**PX1-80.0-4 CHANNEL 1 With motor M1.1A-3,5 IE2**



Dimensions	mm	Dimensions	mm	
Name	Value	Name	Value	Outlet flange - Standard : DN100 / PN10 - Option : 4" ANSI class 125 - Option : DN80 / PN10, 3" ANSI class 125
L1a	736,5	LD1	460	
L1b	81,5	LD2	500	Suction flange - Standard : DN100 / PN10 - Option : 4" ANSI class 125 - Option : DN80 / PN10, 3" ANSI class 125
L2 min	212			
L2a max	453			Total Weight of Pump =123,8 kg Weight of Adjustable Legs =6,1 kg
L2a min	293			
L2max	360			
L3c	100			
L5	320			
L5a	270			
L5b	168			
L5c	152			
L5d	160			

**PX1-80.0-4 CHANNEL 1 With motor M1.1A-3,5 IE2**



Dimensions	mm	Dimensions	mm	
Name	Value	Name	Value	Outlet flange - Standard : DN100 / PN10 - Option : 4" ANSI class 125 - Option : DN80 / PN10, 3" ANSI class 125  Suction flange - Standard : DN100 / PN10 - Option : 4" ANSI class 125 - Option : DN80 / PN10, 3" ANSI class 125  Total Weight of Pump =123,8 kg Weight of Adjustable Legs =6,1 kg
L1a	736,5	L6f	335	
L1b	80			
L5b	168,1			
L5c	152,6			
L5e	335			
L5a	270			
L6b	522,5			
L6c	692,5			
L6d max	339,5			
L6d min	301,5			
L6e max	609,5			
L6e min	571,5			